

# Capri IGA2 - for Non-armoured Cable

## Technical Specification

### Function

The IGA2 cable gland provides mechanical retention and a weatherproof seal on the outer sheath of the cable.

### Suitable for the following cable types

☞ Non-armoured cable

### Application

Suitable for indoor and outdoor applications.

### Product Specification

#### Material:

Brass; nickel-plated brass

#### Operating Temperature:

- 60°C to +150°C

### Standard

B.S. 6121 Part 1: 1989

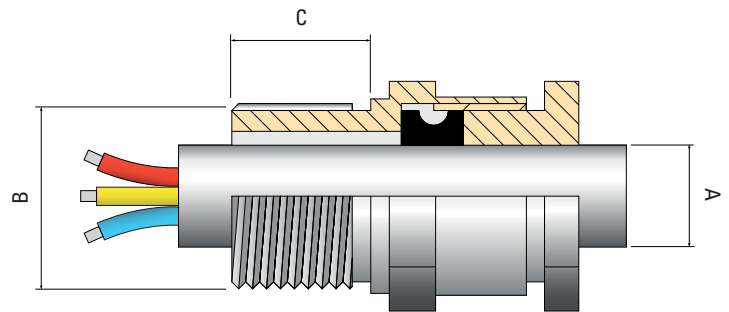
### Ingress Protection

- IP66



The gland kit is comprised of:

- Gland
- Shroud
- Earth Tag
- Locknut



GLAND SIZE	ISO	CATALOG NUMBER ISO NATURAL BRASS (IN GLAND KIT)	CATALOG NUMBER ISO NICKEL-PLATED BRASS (IN GLAND KIT)	SELECTION TABLE						CATALOG NUMBER NPT NATURAL BRASS (IN GLAND KIT)	CATALOG NUMBER NPT NICKEL-PLATED BRASS (IN GLAND KIT)
				ENTRY THREAD		DIA. MIN - MAX A	ACROSS FLATS	ACROSS CORNERS	NPT		
				DIA. B	MIN LENGTH C						
16L	M16	IGA2M162BRNK2	IGA2M162NPNK2	16	12	3.50 - 9.00	21.00	24.00	3/8" NPT	IGA2N0372BRNK2	IGA2N0372NPNK2
20S	M20	IGA2M201BRNK2	IGA2M201NPNK2	20	10	8.00 - 11.70	22.00	25.00	1/2" NPT	IGA2N0501BRNK2	IGA2N0501NPNK2
20L	M20	IGA2M202BRNK2	IGA2M202NPNK2	20	10	11.00 - 14.00	24.00	26.50	1/2" NPT	IGA2N0502BRNK2	IGA2N0502NPNK2
25S	M25	IGA2M251BRNK2	IGA2M251NPNK2	25	15	12.00 - 17.00	27.00	30.50	3/4" NPT	IGA2N0751BRNK2	IGA2N0751NPNK2
25L	M25	IGA2M252BRNK2	IGA2M252NPNK2	25	10	13.00 - 20.00	29.50	33.00	3/4" NPT	IGA2N0752BRNK2	IGA2N0752NPNK2
32S	M32	IGA2M321BRNK2	IGA2M321NPNK2	32	15	16.50 - 23.00	37.00	41.00	1" NPT	IGA2N1001BRNK2	IGA2N1001NPNK2
32L	M32	IGA2M322BRNK2	IGA2M322NPNK2	32	10	19.00 - 26.30	39.00	43.00	1" NPT	IGA2N1002BRNK2	IGA2N1002NPNK2
40S	M40	IGA2M401BRNK2	IGA2M401NPNK2	40	20	23.00 - 29.00	45.00	50.00	1 1/4" NPT	IGA2N1251BRNK2	IGA2N1251NPNK2
40	M40	IGA2M402BRNK2	IGA2M402NPNK2	40	15	25.00 - 33.00	45.00	51.00	1 1/4" NPT	IGA2N1252BRNK2	IGA2N1252NPNK2
50S	M50	IGA2M501BRNK2	IGA2M501NPNK2	50	15	31.50 - 38.20	55.50	62.00	1 1/2" NPT	IGA2N1501BRNK2	IGA2N1501NPNK2
50L	M50	IGA2M502BRNK2	IGA2M502NPNK2	50	15	36.50 - 44.00	61.50	68.00	1 1/2" NPT	IGA2N1502BRNK2	IGA2N1502NPNK2
63S	M63	IGA2M631BRNK2	IGA2M631NPNK2	63	15	42.50 - 50.00	65.50	73.00	2" NPT	IGA2N2001BRNK2	IGA2N2001NPNK2
63L	M63	IGA2M632BRNK2	IGA2M632NPNK2	63	15	48.00 - 56.00	71.50	79.00	2" NPT	IGA2N2002BRNK2	IGA2N2002NPNK2
75S	M75	IGA2M751BRNK2	IGA2M751NPNK2	75	15	54.50 - 62.00	77.00	85.00	2 1/2" NPT	IGA2N2501BRNK2	IGA2N2501NPNK2
75L	M75	IGA2M752BRNK2	IGA2M752NPNK2	75	15	60.50 - 68.00	85.50	95.00	2 1/2" NPT	IGA2N2502BRNK2	IGA2N2502NPNK2
90L	M90	IGA2M902NPNK2	IGA2M902NPNK2	90	15	66.00 - 80.00	100.00	112.00	3" NPT	IGA2N3002BRNK2	IGA2N3002NPNK2

To order gland only, remove suffix "K2" from end of catalog number.  
Other sizes available on request.