

OAC pushbutton stations and heavy duty selector switches

600 VAC standard

Factory sealed[Ⓐ]

Cl. I, Div. 1 & 2, Groups A, B, C, D
 Cl. II, Div. 1, Groups E, F, G
 Cl. II, Div. 2, Groups F, G
 Cl. III
 NEMA 3, 4, 7ABCD, 9EFG, 12

Explosionproof
 Dust-ignitionproof
 Raintight
 Wet Locations
 Watertight

4C

Applications:

OAC units are used:

- In areas which are hazardous due to the presence of flammable vapors, gases or highly combustible dusts
- In damp, wet or corrosive locations
- Indoors or outdoors at petroleum refineries, chemical and petrochemical plants and other process industry facilities where similar hazards exist
- In areas which are hazardous due to the presence of acetylene and hydrogen, or gases or vapors of equivalent hazard such as manufactured gas
- In conjunction with magnetic starters or contactors for remote control of motors

Features:

- Water shedding construction with female threaded bottom opening and male threaded cover
- Threaded cover is deep dome type, which surrounds the enclosed device
- All enclosures are suitable for hazardous area use
- Pushbutton stations have a guarded rocker type operating handle at the front, arranged for padlocking to prevent unauthorized operation
- Selector switches have a lever type operating handle at the top
- Provided with vertical through feed conduit hubs of sizes indicated in the listings
- Units are factory sealed for Class I, Divisions 1 & 2, Groups B, C, D
- Standard lockout on selector switches; locks two- or three-position switch handle in any position

Certifications and compliances:

NEC:

- Class I, Divisions 1 & 2, Groups A, B, C, D
- Class II, Division 1, Groups E, F, G
- Class II, Division 2, Groups F, G
- Class III

UL standard:

- UL1203

CSA standard:

- C22.2 No. 30

Environmental ratings:

- NEMA/EEMAC 3, 4, 7ABCD, 9EFG, 12

Standard materials:

- Bodies – Feraloy iron alloy
- Covers and operating handle – copper-free aluminum
- Operating shafts – stainless steel

Standard finishes:

- Feraloy iron alloy – electrogalvanized and aluminum acrylic paint
- Copper-free aluminum – natural
- Stainless steel – natural

Electrical ratings:

- Pushbutton stations and selector switches – air break – heavy duty 600 VAC maximum



4C

Options:

Description

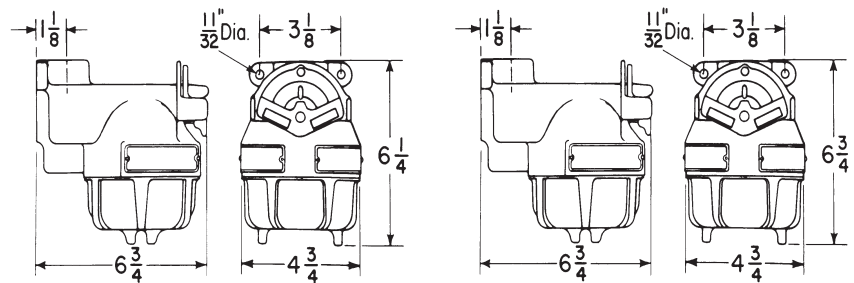
Suffix

- Back boss drilled and tapped for 3/4" and 1" sizes..... **Specify**

Three-position selector switches with modified operation:

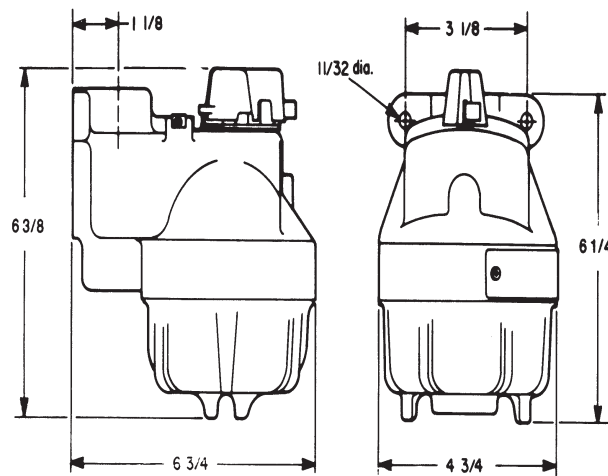
- Momentary contact clockwise operation, spring return to center, maintained contact counterclockwise operation..... **S634**
- Momentary contact counterclockwise operation, spring return to center, maintained contact clockwise operation..... **S635**

Dimensions[Ⓑ] (in inches):



OAC

OAC (91 Series only)



[Ⓐ]Factory sealed for Class I, Divisions 1 & 2, Groups B, C, D.

[Ⓑ]Dimensions are approximate, not for construction purposes. For cover removal, add 2 1/8" to dimension.

OAC pushbutton stations and heavy duty selector switches

600 VAC standard
Factory sealed[ⓐ]

Cl. I, Div. 1 & 2, Groups A, B, C, D
Cl. II, Div. 1, Groups E, F, G
Cl. II, Div. 2, Groups F, G
Cl. III
NEMA 3, 4, 7ABCD, 9EFG, 12

Explosionproof
Dust-ignitionproof
Raintight
Wet Locations
Watertight

4C

Ordering information:

Pushbutton stations



Normal position	1 circuit universal	2 circuits universal	2 circuits universal	2 circuits [ⓑ]
Operating handles	Single	Double	Single operating both buttons	Double
Replacement pushbuttons	ED21	ED22	ED22	ED22 [ⓑ]
Diagram				

With momentary left handle and maintained right handle. For momentary "START", maintained "STOP" and similar applications.

Normal position	2 circuits universal
Diagram	

Hub size	Cat. #	Cat. #	Cat. #	Cat. #
3/4"	OAC2101 [ⓐ]	OAC2133 [ⓐ]	OAC2139 [ⓐ]	OAC2103 [ⓐ]
1"	OAC3101 [ⓐ]	OAC3133 [ⓐ]	OAC3139 [ⓐ]	OAC3103 [ⓐ]

Enclosure with pushbuttons

Hub size	Cat. #
3/4"	OAC2291 [ⓐ]
1"	OAC3291 [ⓐ]

[ⓐ]If desired, markings on indicating plates may be added to catalog number. Select from the list of standard markings below:

START	OFF	RESET	LIGHT ON
STOP	RUN	TRIP	HAND
ON	JOG	TEST	AUTOMATIC
EMERGENCY	OPEN	DOWN	RAISE
FORWARD	CLOSE	IN	LOWER
REVERSE	UP	OUT	

[ⓐ]Factory sealed for Class I, Divisions 1 & 2, Groups B, C, D.

[ⓑ]Two universal contact blocks; must be wired as two circuits, one normally open and one normally closed.

OAC pushbutton stations and heavy duty selector switches

600 VAC standard
Factory sealed[ⓔ]

Cl. I, Div. 1 & 2, Groups A, B, C, D
Cl. II, Div. 1, Groups E, F, G
Cl. II, Div. 2, Groups F, G
Cl. III
NEMA 3, 4, 7ABCD, 9EFG, 12

Explosionproof
Dust-ignitionproof
Raintight
Wet Locations
Watertight

4C

Ordering information (continued):

Selector switches

OAC selector switches are furnished with pushbutton contact blocks, cam actuated by a maintained contact selector mechanism to operate in the sequences shown in the diagrams below.



Style	Switch position			Replacement contact blocks	Enclosure with switch	
	Pos. 1	Pos. 2	Pos. 3		Hub size	Cat. #
Two-position, two circuit	A1			ED21	3/4"	OAC2471 [ⓐ]
	A2				1"	OAC3471 [ⓐ]
Two-position, four circuit	A1			ED22	3/4"	OAC2472 [ⓐ]
	A2				1"	OAC3472 [ⓐ]
Three-position, two circuit [ⓕ]	A1			ED21	3/4"	OAC2473 [ⓐ]
	A2				1"	OAC3473 [ⓐ]
Three-position, four circuit [ⓕ]	A1			ED22	3/4"	OAC2474 [ⓐ]
	A2				1"	OAC3474 [ⓐ]
	B1			ED22	3/4"	OAC2475 [ⓐ]
	B2				1"	OAC3475 [ⓐ]

[ⓐ]Specify indicating plate markings, if desired. Standard indicating plate markings are listed below:

Two-position		
RUN, JOG	FAST, SLOW	IN, OUT
HAND, AUTOMATIC	OPEN, CLOSE	RAISE, LOWER
FORWARD, REVERSE	UP, DOWN	START, STOP
	ON, OFF	
Three-position		
RUN, OFF, JOG	1, OFF, 2	
HAND, OFF, AUTOMATIC	OPEN, OFF, CLOSE	
FORWARD, OFF, REVERSE	UP, OFF, DOWN	
FAST, OFF, SLOW		

[ⓔ]Factory sealed for Class I, Divisions 1 & 2, Groups B, C, D.

[ⓕ]Suffixes 'S634' or 'S635' may be used on these catalog numbers. See Options section for more information.