

Arktite WSRD interlocked receptacles with enclosed safety disconnect switches

3P

Eaton Cutler-Hammer safety disconnect switch

3P

Applications:

- Used as a service outlet for portable or fixed electrical equipment, such as generators, compressors, welders, portable tools, conveyors, lighting systems and similar equipment
- Designed for use in non-hazardous areas where dust, moisture and corrosion may be a problem
- Designed for flush or surface mounting
- A fusible switch, when used, provides short circuit protection

Features:

- Optional window allows viewing of both visible blade and indicating type fuses
- HP rated enclosed switch for motor load applications
- Optional 22½° rotated interior of receptacle allows for differentiation when used on circuits of different voltages
- Ground bar supplied as standard and connected to 4th wire in receptacle
- The switch enclosure and receptacle are interlocked with the body and operating mechanism; the enclosure cannot be opened when the plug is engaged and switch is in ON position
- Switch cannot be turned on with enclosure door open
- Interlock mechanism on the receptacle prevents plug from being disengaged under load
- Factory adjusted interlock rod assures optimal interface with receptacle
- Tool-free cover latches for quick and easy access
- Corrosion- and impact-resistant
- Type 4X, watertight and IP66 ratings (model dependent)
- Door with seamless gasket prevents moisture ingress
- Handle with insulated grip features a positive stop in both ON and OFF positions
- Complies with OSHA lockout/tagout requirements
- Corro-free powder coat epoxy and threaded cap ensure added corrosion resistance (stainless steel model only)
- Split pin, self-wiping naval brass contacts in receptacle provide nearly 360° contact and ensure better contact life

Certifications and compliances:

Sheet steel model:

NEC/CEC:

- Enclosure Type 3R, 12

UL standards:

- UL98
- UL1682

cUL standard:

- Certified by UL to CSA standard C22.2 Nos. 4, 182.1

Stainless steel model:

NEC/CEC:

- Enclosure Type 4, 4X

UL standards:

- UL98
- UL1682

cUL standard:

- Certified by UL to CSA standard C22.2 Nos. 4, 182.1

Standard materials:

Sheet steel model:

- Enclosure – sheet steel
- Hardware – stainless steel
- Receptacle housing – copper-free aluminum
- Contacts – naval brass
- Interlock mechanism – stainless steel

Stainless steel model:

- Enclosure – Type 304 stainless steel
- Hardware – stainless steel
- Receptacle housing – copper-free aluminum
- Contacts – naval brass
- Interlock mechanism – stainless steel

Standard finishes:

Sheet steel model:

- Aluminum – natural
- Brass – natural

Stainless steel model:

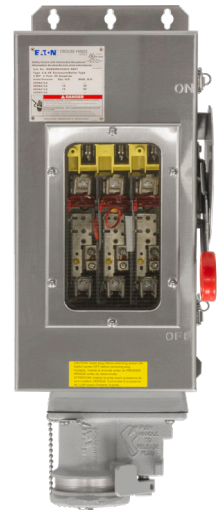
- Stainless steel – natural (enclosure)
- Aluminum – Corro-free epoxy powder (receptacle)
- Brass – natural (contacts)

Electrical ratings:

- 3- and 4-pole; fusible or non-fusible
- 240 VAC, 250 VDC, 480 VAC, 600 VAC
- 30, 60, 100 amperes
- Maximum horsepower ratings: 15 to 75 HP



Sheet steel with window



Stainless steel with window

Accessories (ordered separately):

Description	Cat. #
• Control pole kit (for 2-pole, 3-pole switches).....	DS16CP
400-600A DG, 30-1200A DH, 30-800A DT	
Neutral kits:	
• 30-60A DH	DH030NK
• 100A DH	DH100NK
Auxiliary contact kits:	
• 1 N.O./1 N.C.....	DS200EK1
All switches except 30-100A DG switches	
• 2 N.O./2 N.C.....	DS200EK2
All switches except 30-100A DG switches	
Fuse puller kits:	
• 30-60A	DS30FP
• 100A DH	DS100FP
"R" fuse adapter kits:	
• 30A, 600V DH and DT; 60A, 240V DH and DT; 60A DG	DS16FK
• 100A, 240-600V DH, DT	DS36FK

Arktite WSRD interlocked receptacles with enclosed safety disconnect switches

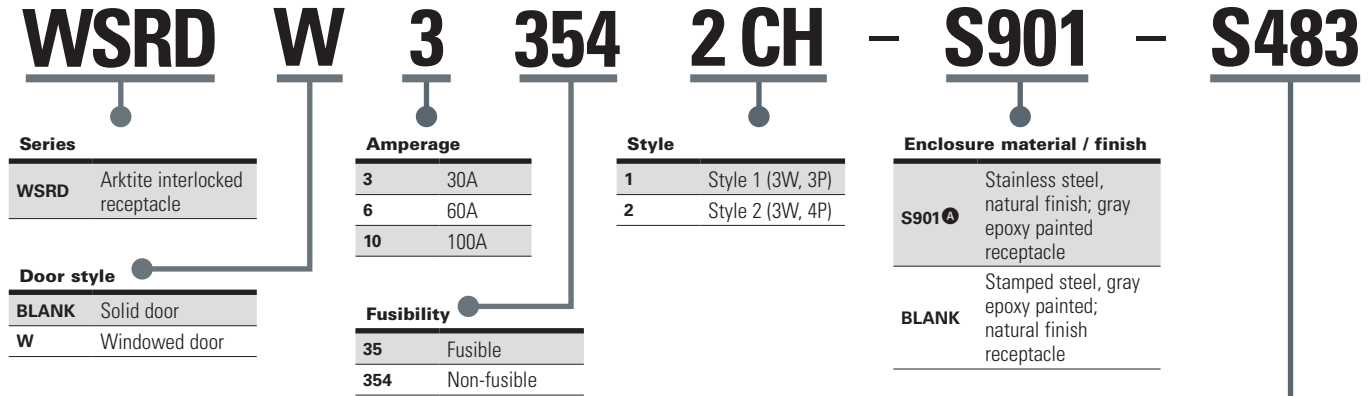
3P

Eaton Cutler-Hammer safety disconnect switch

Ordering information:

Part number example

WSRDW33542CH-S901-S483



3P

Horsepower ratings:

Amperage	Three-phase: 480 VAC		Three-phase: 600 VAC	
	Std.	Max.	Std.	Max.
30	5	15	7.5	20
60	15	30	15	50
100	25	60	30	75

Note: Style 1 and Style 2 have the same horsepower ratings. Fusible models have the same horsepower ratings as non-fusible models when used with the appropriate time delay fuses.

Options^B

S483	Factory installed auxiliary contacts
S4	Special polarity (22½° right)

Dimensions:

Solid door (no window)

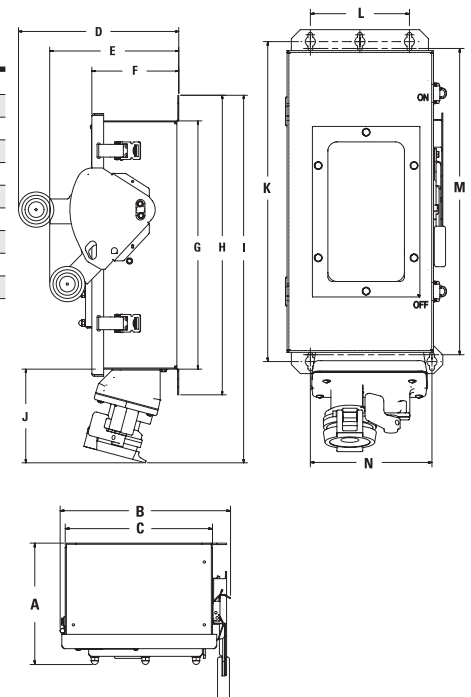
	30A	60A	100A
A	5.50 (140)	5.50 (140)	5.50 (140)
B	8.94 (227)	8.44 (214)	11.14 (283)
C	7.73 (196)	7.73 (196)	11.48 (291)
D	10.21 (259)	10.20 (259)	10.21 (259)
E	8.22 (209)	8.22 (209)	8.22 (209)
F	5.50 (140)	5.50 (140)	5.50 (140)
G	15.82 (402)	15.82 (402)	21.69 (551)
H	19.09 (485)	19.09 (485)	24.96 (634)
I	23.43 (595)	24.60 (624)	31.05 (788)
J	5.97 (152)	7.14 (181)	7.73 (196)

Dimensions in inches (millimeters).

Windowed door

	30A	60A	100A
A	6.37 (162)	6.37 (162)	6.37 (162)
B	8.94 (227)	8.40 (213)	10.76 (273)
C	7.73 (196)	7.73 (196)	11.97 (304)
D	10.21 (259)	10.21 (259)	10.21 (259)
E	8.22 (209)	8.22 (209)	8.22 (209)
F	5.54 (141)	5.54 (141)	5.54 (141)
G	15.82 (402)	15.82 (402)	21.69 (551)
H	19.09 (485)	19.09 (485)	24.96 (634)
I	23.43 (595)	24.60 (624)	31.05 (788)
J	5.97 (152)	7.14 (181)	7.73 (196)

Dimensions in inches (millimeters).



Mounting (center-to-center)

	30A	60A	100A
K	17.76 (451)	17.76 (451)	23.63 (600)
L	5.50 (140)	5.50 (140)	8.50 (216)
M	17.00 (432)	17.00 (432)	22.87 (581)
N	6.75 (171)	6.75 (171)	9.75 (248)

Dimensions in inches (millimeters).

^A Only available for Style 2 3-wire, 4-pole.

^B If ordering both options, list S483 suffix first in catalog number.

Arktite WSRD interlocked receptacles with enclosed safety disconnect switches

3P

Eaton Cutler-Hammer safety disconnect switch

APJ/NPJ plugs:

Amperage	Max. voltage	Outside dia. of cable, flexible conduit or armored cable	Cat. # Style 1 [Ⓢ] 3-wire, 3-pole	Cat. # Style 2 [Ⓢ] 3-wire, 4-pole
30	250 VDC; 600 VAC	0.60 - 1.20"	APJ3375	APJ3485
		0.55 - 0.70"		NPJ3483
		0.70 - 0.85"		NPJ3484
60	250 VDC; 600 VAC	0.75 - 1.45"	APJ6375	APJ6485
		0.75 - 1.07"		NPJ6484
		1.07 - 1.35"		NPJ6485
100	250 VDC; 600 VAC	1.00 - 1.70"	APJ10377	APJ10487
		0.93 - 1.21"		NPJ10486
		1.21 - 1.50"		NPJ10487

3P