

Ex-Control and distribution systems



Type 1



Type 2



Type 4



Type 5

Technical data

Ex d Light alloy enclosure for motor starter

Marking accd. to 94/9/EC	II 2 G Ex de ia/ib [ia/ib] IIC/IIB T6/T5/T4 Gb II 2 d Ex tb IIIC T80 °C T95 °C Db ¹⁾
EC-Type Examination Certificate	PTB 99 ATEX 1057
IECEX-Certificate of Conformity	IECEX PTB 12.0026
Marking accd. to IECEx	Ex de IIC T6, T5, T4 Gb Ex de IIB T6, T5, T4 Gb
Permissible ambient temperature	-20 °C up to +40 °C -55 °C up to +55 °C (option)
Rated voltage	690 V
Rated current	630 A
Protection class	I
Connecting terminals	up to 300 mm ²
Degree of protection acc. to EN 60529 ¹⁾	IP54 (IP66 on request)
Weight	see ordering details
Enclosure material	aluminium die-cast housing
Enclosure colour	pebbles grey, cover dark grey

¹⁾ Dust certification only in combination with IP66

Ordering details

Content Motor capacity to AC 3	Type	Main switch	Cable glands	Weight approx.	Degree of protection nach EN 60529	Order No.
Direct circuit						
11 kW	1	25 A	3 x M25	14.5 kg	IP54	EXKO 71 5000 F 0000
15 kW	2	25 A	2 x M32 / 1 x M25	24.5 kg	IP54	EXKO 71 5000 H 0000
22 kW	4	40 A	2 x M40 / 1 x M25	37.5 kg	IP54	EXKO 71 5000 K 0000
Reversing circuit						
11 kW	1	25 A	3 x M25	14.5 kg	IP54	EXKO 71 5100 F 0000
15 kW	2	25 A	2 x M32 / 1 x M25	24.5 kg	IP54	EXKO 71 5100 H 0000
22 kW	4	40 A	2 x M40 / 1 x M25	39.5 kg	IP54	EXKO 71 5100 K 0000
Star-delta starter						
7.5 kW	2	40 A	4 x M25	25 kg	IP54	EXKO 71 5200 B 0000
12.5 kW	2	40 A	4 x M25	25 kg	IP54	EXKO 71 5200 D 0000
18.5 kW	4	40 A	3 x M32 / 1 x M25	37 kg	IP54	EXKO 71 5200 F 0000
30.0 kW	4	63 A	3 x M32 / 1 x M25	39 kg	IP54	EXKO 71 5200 H 0000
37.0 kW	5	100 A	1 x M40 / 2 x M32	64 kg	IP54	EXKO 71 5200 K 0000
55.0 kW	5	100 A	1 x M40 / 2 x M32	64 kg	IP54	EXKO 71 5200 M 0000

The motor starters are completely wired for connection by customer.

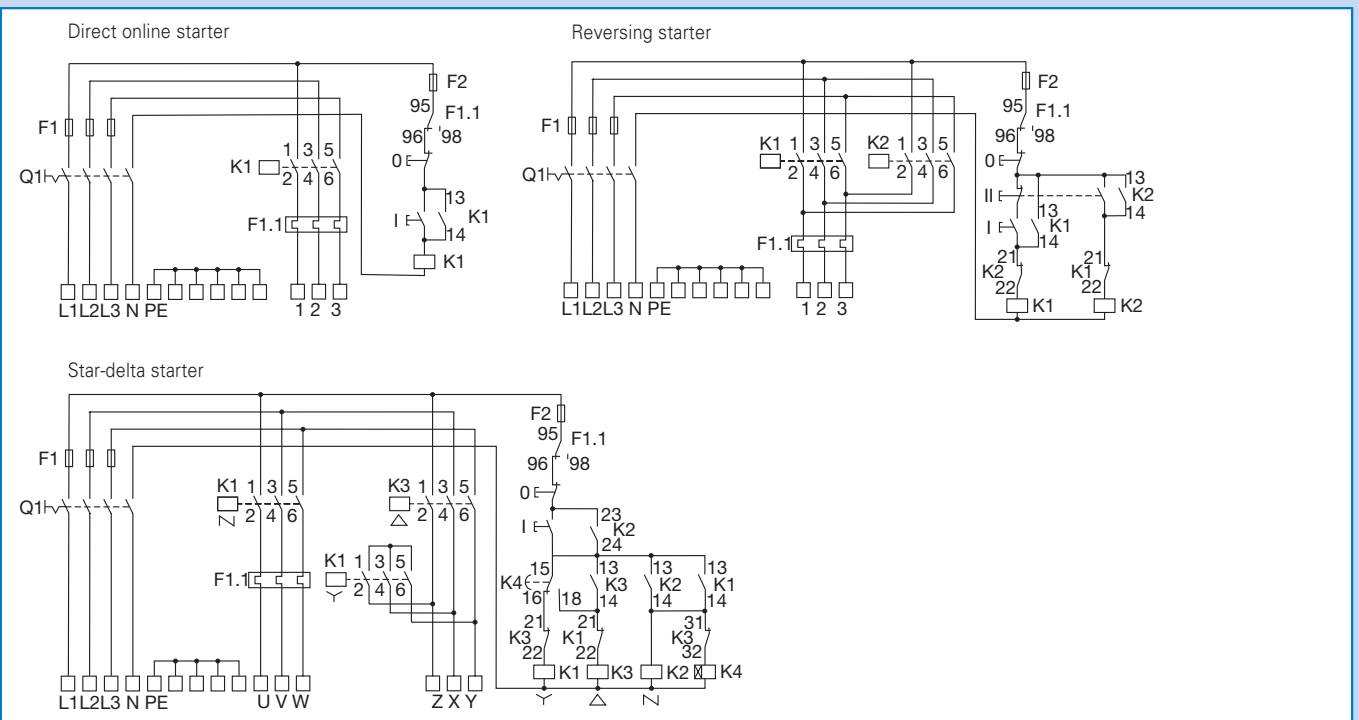
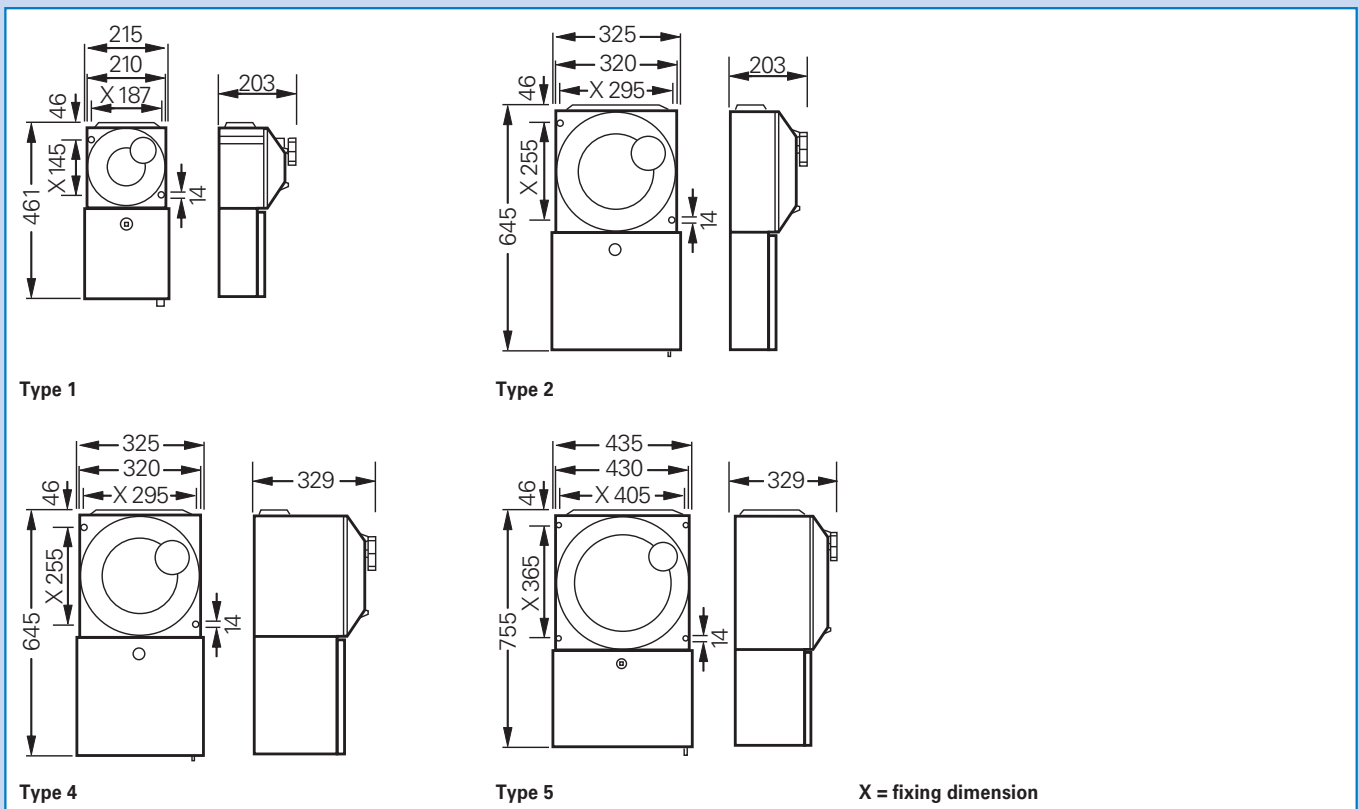
Further switching capacities up to 630 A on request.

Please state motor operating voltage and rated current in your order.



Dimension drawing | Wiring diagram

6



Dimensions in mm

Ex-Control and distribution systems



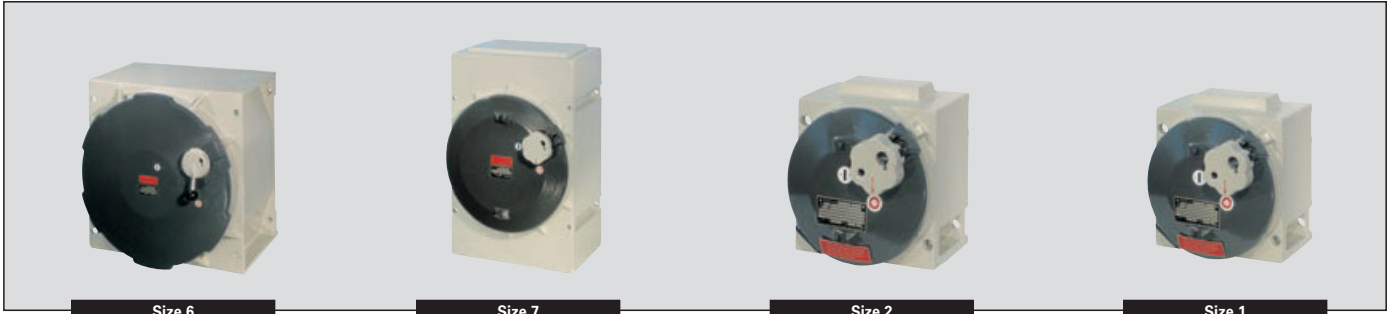
Technical data

Ex d light alloy empty enclosures

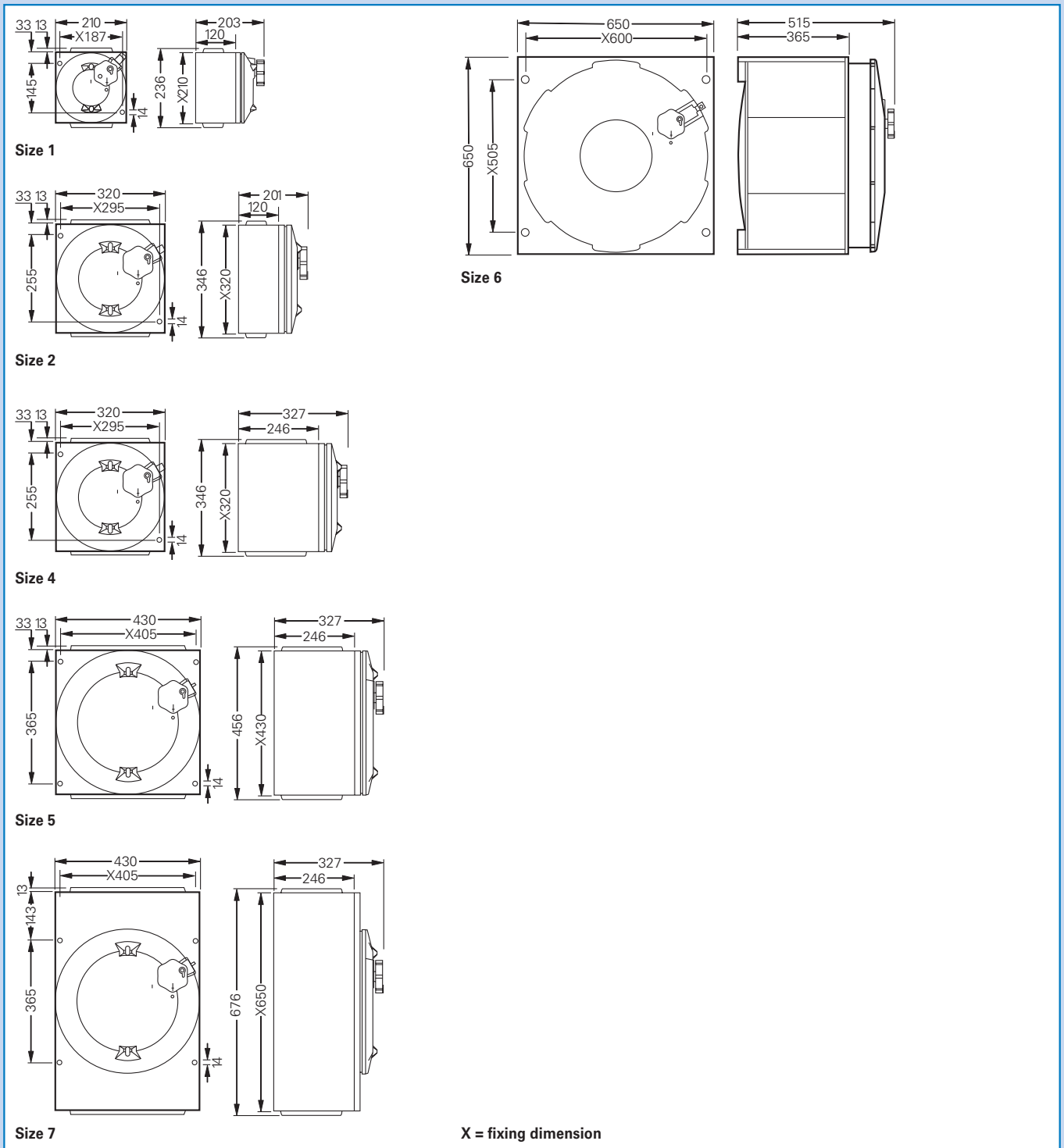
Marking accd. to 94/9/EC	II 2 G Ex de ia/ib [ia/ib] II II 2 D Ex tD A21 IP66
EC-Type Examination Certificate	PTB 98 ATEX 1054U
IECEX-Certificate of Conformity	IECEX PTB 12.0026
Marking accd. to IECEx	Ex de IIC / IIB Gb / Ex tb IIIC Db Ex de IIB T6, T5, T4 Gb
Permissible ambient temperature	-20 °C up to +40 °C -55 °C up to +60 °C (option)
Rated voltage	690 V
Rated current	630 A
Connecting terminals	up to 300 mm ²
Degree of protection accd. to EN 60529	IP54 (IP66 on request)
Weight	see ordering details
Enclosure material	aluminium die-cast housing
Enclosure colour	coating suited for tropical and marine climates finish polyester coating in RAL 7032/7022

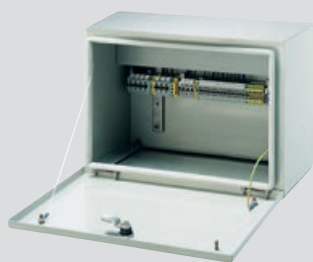
Ordering details

Content	Power dissipation		Rated current	Weight	Order No.
	T6	T5			
Ex d light alloy empty enclosures					
Size 1	80 W	120 W	125 A	8 kg	on request
Size 2	150 W	210 W	260 A	16 kg	on request
Size 4	210 W	280 W	400 A	23 kg	on request
Size 5	300 W	420 W	400 A	40 kg	on request
Size 7	300 W	420 W	400 A	55 kg	on request
Size 6	700 W	975 W	630 A	195 kg	on request



Dimension drawing





Connection box



Bus-bar box

Technical data

Sheet steel-connection box

Marking accd. to 94/9/EC	II 2 G Ex de ia/ib [ia/ib] IIC T4 - T6
	II 2 D Ex tD A21 IP66 T80 °C, T95 °C, T100 °C
EC-Type Examination Certificate	PTB 00 ATEX 1073
Permissible ambient temperature	-55 °C up to +55 °C
Rated voltage	690 V
Rated current	630 A
Connecting terminals	up to 240 mm ²
Degree of protection accd. to EN 60529	IP54 (IP65 on request)
Weight	see ordering details
Enclosure material	steel
Enclosure colour	finish polyester powder coating in RAL 7032

Sheet steel-bus-bar box

Marking accd. to 94/9/EC	II 2 G Ex de ia/ib [ia/ib] IIC T4 - T6		
	II 2 D Ex tD A21 IP66 T80 °C, T95 °C, T100 °C		
EC-Type Examination Certificate	PTB 00 ATEX 1073		
Permissible ambient temperature	-55 °C up to +55 °C		
Rated voltage	690 V		
Rated current	250 A	400 A	630 A
Rated short-circuit current	35 kA	53 kA	59.2 kA
Rated thermal short-time current	9.4 kA (1s)	10.7 kA (1s)	13.2 kA (1s)
Terminal cross section	up to 240 mm ²		
Degree of protection accd. to EN 60529	IP54 (IP66 on request)		
Weight	see ordering details		
Enclosure material	steel		
Enclosure colour	finish polyester powder coating in RAL 7032		

Ordering details

Content	Max. no. of built-in control units	Module size	Length of terminal rail	Weight	Order No.
Sheet steel-connection box					
AK 1-2	4	1	1 x 190 mm	4.3 kg	on request
AK 2-2	15	2	2 x 300 mm	7.0 kg	on request
AK 4-1	15	4	3 x 300 mm	9.5 kg	on request
AK 5-1	21	5	3 x 410 mm	11.5 kg	on request
AK 6-1	52	6	3 x 630 mm	23.5 kg	on request

Sheet steell-bus-bar box					
SSK 1	20	1	1 x 295 mm	11.0 kg	on request
SSK 2	28	2	2 x 405 mm	15.0 kg	on request
SSK 3	52	3	2 x 625 mm	23.0 kg	on request
SSK 4	72	4	2 x 845 mm	31.0 kg	on request



Bus-bar box



Connection box

Dimension drawing

	Sheet steel-connection box	Sheet steel-bus-bar box
Size 1		
Size 2		
Size 3		
Size 4		
Size 5		
Size 6		