

# NST disconnect switches and enclosures

600 VAC/250 VDC heavy duty

Corrosion-resistant  
Dusttight  
Watertight  
Weatherproof  
NEMA 3, 4X, 12

2A

## Applications:

- NST disconnect switches are for use in disconnecting motor, lighting and other circuits

## Features:

- Enclosures are made of Krydon, Eaton's Crouse-Hinds' high impact strength fiberglass-reinforced polyester material having excellent corrosion resistance and stability to heat
- Unitized, strong and durable enclosure construction provides longer service life for equipment
- Enclosure has hinged access door which opens 160° for easy wiring and maintenance; three screws for door frame are hidden behind access door
- Access door may be padlocked to prevent unauthorized access

## Certifications and compliances:

- UL standard: UL98
- CSA standard: C22.2 No. 4
- NEMA 3, 4X, 12

## Electrical ratings:

- 240 VAC/250 VDC, 600 VAC
- 30, 60, 100 amperes

## Options:

- | Description   | Suffix                  |
|---|-------------------------|
| • Auxiliary switch.....   | <b>S483<sup>ⓐ</sup></b> |
| <i>600V AC/DC heavy duty pushbutton station rating</i>                              |                         |
| <i>Contacts will close after switch contacts close and open before switch opens</i> |                         |
| • Hubs .....  | <b>See note on hubs</b> |
| • Grounding plate or bushing .....  | <b>See Section 1A</b>   |

**NOTE ON HUBS:** The following number and sizes of hubs (not mounted) are included when disconnect switches are ordered complete. If enclosures only are ordered, hubs must be ordered separately (see Options section).

Switch size	Number included	Hub size
30	2	3/4"
60	2	1 1/8"
100	2	2"



Disconnect switch with built-in Krydon handle

2A

## Ordering information:

To order an enclosure complete with disconnect switch, insert the manufacturer's symbol in the designated position of the catalog number. Symbols are shown in the footnotes below.

Enclosures only can be ordered. Select from listings below.

Amperage	Maximum horsepower rating				Enclosure		
	AC polyphase			DC using 2 poles only 250V max.	Cat. # With switch 240 VAC / 250 VDC	Cat. # With switch 600 VAC	Cat. # Without switch
	200 / 240V	440 / 480V	550 / 600V				
<b>Non-fusible</b>							
30	7.5	15	20	5	NST1018F <sup>ⓐ</sup> 30320	NST1018F <sup>ⓐ</sup> 30360	NST1018F <sup>ⓐ</sup>
60	15	30	40	10	NST1018F <sup>ⓐ</sup> 60320	NST1018F <sup>ⓐ</sup> 60360	NST1018F <sup>ⓐ</sup>
100	30	50	50	20	NST1426F <sup>ⓐ</sup> 10320	NST1426F <sup>ⓐ</sup> 10360	NST1426F <sup>ⓐ</sup>
<b>Fusible<sup>ⓑ</sup></b>							
30	7.5	15	20	5	NST1018F <sup>ⓐ</sup> 30321	NST1018F <sup>ⓐ</sup> 30361	NST1018F <sup>ⓐ</sup>
60	15	30	40	10	NST1018F <sup>ⓐ</sup> 60321	NST1018F <sup>ⓐ</sup> 60361	NST1018F <sup>ⓐ</sup>
100	30	50	50	20	NST1426F <sup>ⓐ</sup> 10321	NST1426F <sup>ⓐ</sup> 10361	NST1426F <sup>ⓐ</sup>

### <sup>ⓐ</sup>Disconnect switches

Manufacturer	Symbol	Switch type
Square D	D	Class 9422
Cutler-Hammer	W	Type DS

<sup>ⓐ</sup>For Square D switches only.

<sup>ⓑ</sup>Fuse clips are arranged for Class H fuses and field modifiable for Class J fuses. For Class R fuses, consult Eaton's Crouse-Hinds Division.

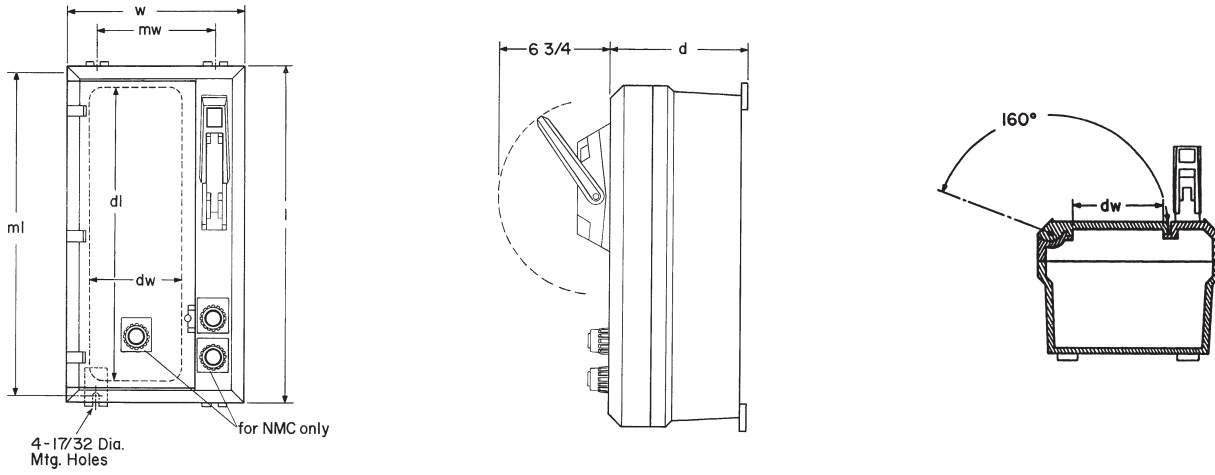
# NST disconnect switches and enclosures

600 VAC/250 VDC heavy duty

Corrosion-resistant  
Dusttight  
Watertight  
Weatherproof  
NEMA 3, 4X, 12

2A

## Dimensions<sup>Ⓢ</sup> (in inches):



NMC, NCB and NST

Cat. #	Outside dimensions		Mounting dimensions			Door opening dimensions	
	l	w	d	mw	ml	dl	dw
NST1018	19 <sup>13</sup> / <sub>32</sub>	11 <sup>13</sup> / <sub>32</sub>	8 <sup>23</sup> / <sub>32</sub>	7 <sup>7</sup> / <sub>8</sub>	19 <sup>9</sup> / <sub>8</sub>	16 <sup>7</sup> / <sub>8</sub>	5 <sup>1</sup> / <sub>16</sub>
NST1426	27 <sup>13</sup> / <sub>32</sub>	15 <sup>13</sup> / <sub>32</sub>	9 <sup>23</sup> / <sub>32</sub>	11 <sup>7</sup> / <sub>8</sub>	27 <sup>1</sup> / <sub>4</sub>	23 <sup>11</sup> / <sub>16</sub>	9 <sup>1</sup> / <sub>16</sub>

<sup>Ⓢ</sup>Dimensions are approximate, not for construction purposes.