

## Applications:

ETW telephones are used:

- For communication in areas which may be hazardous due to the presence of flammable gases or vapors, and/or combustible dusts
- In chemical plants, oil refineries, bulk loading stations, paint and varnish manufacturing plants, grain processing and similar industries

## Features:

- Modern styled, pushbutton wall mount unit is very rugged in design, suitable for the harshest industrial applications
- Large, easy to read keyboard allows gloves-on operation
- Cast copper-free aluminum housing, with baked on powder coat finish, is highly resistant to corrosive atmospheres
- Units are tone or pulse compatible and offer superior audio clarity
- Handset cord features a pin-type connector for easy field replacement; handset circuit is intrinsically safe
- Up to ten units can be connected on one line

## Certifications and compliances:

### NEC/CEC:

- Class I, Divisions 1 & 2, Groups B, C, D
- Class II, Division 1, Groups E, F, G
- Class II, Division 2, Groups F, G

### UL standards:

- UL1203
- UL698

### CSA standard:

- C22.2 No. 30

### Additional certification:

- FCC approved

## Standard materials:

- Enclosure – copper-free aluminum
- Handset – high impact plastic

## Standard finish:

- Enclosure – baked powder paint (safety blue)

## Accessories (ordered separately):

### Description

- For locations with a high level of ambient noise, a louder ringer can be installed. An ESR bell or ETH horn may be used by installing an ETC relay between the telephone line switch and the bell or horn. The relay coil is energized by the ringing current and the relay contacts control a separate power source to the signal.

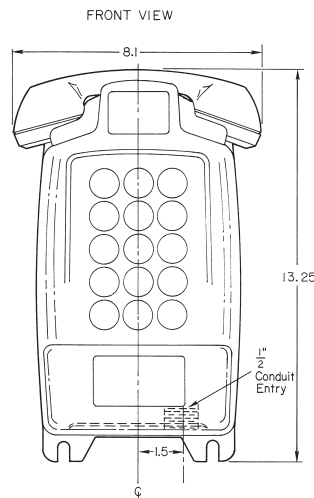


ETW401

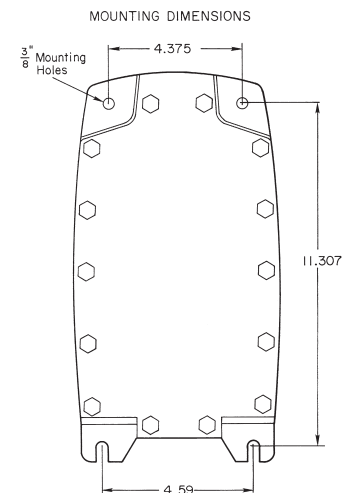
## Ordering information:

Description	Cat. #
Phone with handset	ETW401
Replacement handset (10' cord) ETW	ETW:301SC
Replacement handset (20' cord) ETW	ETW:301SC 20
Phone with headset	ETW401 HS
Phone push-to-talk handset	ETW401 PB
Replacement headset	ETW:P7200

## Dimensions<sup>a</sup> (in inches):



Note: Overall Depth (front to back) 4.82"



<sup>a</sup> Dimensions are approximate, not for construction purposes.