

# Arktite CSR non-metallic interlocked receptacles

UL and cUL Listed  
Enclosure Type 3, 4, 4X, 12; IP66  
Watertight  
Corrosion-resistant

3P

Arktite® interlocked receptacles prevent engagement and disengagement of the plug under load, providing safe portable connections and extended product life.

## Applications:

- Used to supply power to portable or fixed electrical equipment, such as welders, compressors, conveyors, portable tools, lighting systems and similar equipment
- Used in wet, damp or corrosive locations
- Used in hose down areas

## Features:

- Compact enclosure is designed to fit into the web of an I-beam
- Heavy duty Arktite receptacle is compatible with existing Eaton's Crouse-Hinds series Arktite plugs of same rating and configuration
- Eaton's Bussmann series CubeFuse™ with indicator – the world's first "finger-safe" industrial power fuse
- Front mounted handle permits the interlocked receptacles to be easily mounted side by side or in tight spots
- Molded-in-place mounting feet require only four screws to mount the entire unit

## Certifications and compliances:

- UL standards: UL508, UL1682
- Certified by UL to CSA standard: C22.2 Nos. 14, 182.1
- Enclosure Type 3, 4, 4X, 12
- IP66 enclosure

## Standard materials:

- Enclosure – fiber-reinforced polyester
- Hardware – stainless steel
- Receptacle housing – aluminum
- Power contacts – naval brass
- Interlock mechanism – stainless steel
- Hubs – zinc

## Standard finishes:

- Aluminum – Corro-free epoxy powder
- Brass – natural
- Stainless steel – natural

## Options:

- | Description                                  | Suffix      |
|--|-------------|
| • Factory installed auxiliary contacts ..... | <b>S483</b> |
| • Special polarity.....                      | <b>S4</b>   |
- Interior rotated 22½° to right*



3P

Threaded front cap ensures watertight rating while plug is not engaged

Locking ring on the APJ/NPJ Arktite plug threads onto the receptacle, providing positive, worry free power engagement and a watertight environmental seal

Satisfies OSHA lockout / tagout requirements

Field proven direct drive interlock provides positive locking action every time

Corro-free™ epoxy powder coated receptacle for even greater outdoor weatherability

Self-wiping, naval brass contacts in receptacle assure reliable performance and long dependable life

Innovative cover break line provides easy wiring access

Large rotary handle is easy to operate even with gloved hands

Corrosion, impact resistant enclosure offers Enclosure Type 4X, watertight, IP66 rating

H.P. rated enclosed switch for motor load applications

Fused CSR offers a hinged cover for easy access when wiring or replacing fuses.

Eaton's Bussmann CubeFuse™ with indicator is fully rated for 30A and 60A at 600VAC. (Fuses not included.)

Tongue in groove sealing system with continuous raised rib around enclosure ensures watertight and hosedown ratings

# Arktite CSR non-metallic interlocked receptacles

UL and cUL Listed  
Enclosure Type 3, 4, 4X, 12; IP66  
Watertight  
Corrosion-resistant

3P

## Ordering information:

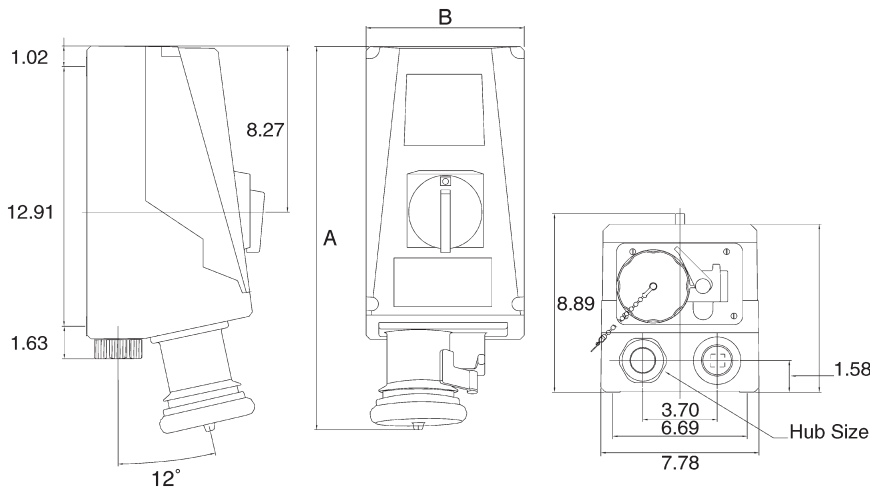
3-wire, 4-pole, 600 VAC

Amperage	Hub size	Fusing	Cat. #	Cat. # Mating Arktite plug
30	1"	Fused	CSR3352	APJ3485/NPJ3484
30	1"	Non-fused	CSR33542	APJ3485/NPJ3484
60	1 1/4"	Fused	CSR6352	APJ6485/NPJ6484
60	1 1/4"	Non-fused	CSR63542	APJ6485/NPJ6484

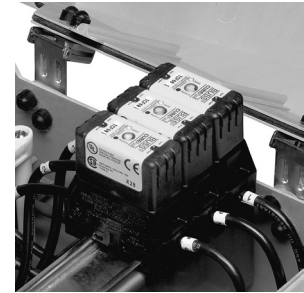
## Horsepower ratings:

Amperage	250 VAC	480 VAC	600 VAC
30	10	20	25
60	20	40	40

## Dimensions (in inches):



Amperage	Hub size	Fusing	A	B
30	1"	Fused	18.26	8.00
30	1"	Non-fused	18.26	7.87
60	1 1/4"	Fused	19.26	8.00
60	1 1/4"	Non-fused	19.26	7.87



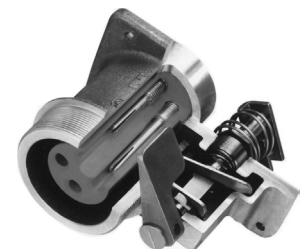
Fully rated for 30A and 60A at 600 VAC;  
for use with Eaton's Bussmann series  
CubeFuse (fuses not included)



Plug locks into receptacle, providing  
positive, worry-free power engagement as  
well as watertight protection



Complies with OSHA lockout/  
tagout requirements



Heavy duty, epoxy coated cast aluminum  
receptacle with stainless steel interlocking  
mechanism for superior durability and  
corrosion resistance