

Roughneck E1049 male and female plugs

Cable size 313 MCM
1000V AC/DC, up to 636A continuous

Cl. I, Div. 2, Groups A, B, C, D
Cl. I, Zone 2, AEx ec IIC Gc
UL Listed
CSA Certified
NEMA 3; IP54

cURus
CE
IEC
CENELEC

9P

Hex crimp or solder connection

Features:

- Contacts machined from solid copper and specially plated for corrosion resistance and superior conductivity
- Color-coded rubber insulator provides quick visual identification of circuit and phase connections
- Watertight insulators provide maximum protection
- Male and female contacts are assembled to cable with standard crimp tools
- Drive pins on contacts securely lock it to the insulator
- Male contacts are equipped with safe front insulated tip

Standard materials:

- Insulator – rubber
- Receptacle shell – epoxy powder coated aluminum alloy
- Hardware – stainless steel
- Contact – copper

Ordering information:

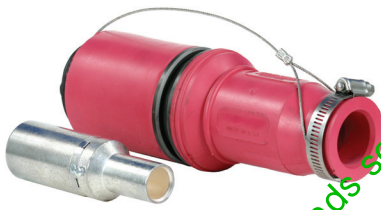
Male plugs



E1049-34

Connection type and wire size	Color	Cat. # Complete male connector		Cat. # Insulator		Cat. # Contact assembly
		Standard	Hazardous	Standard	Hazardous	
Hexagon crimp or solder 313 MCM	Black	E1049-31	E1049X-31	A201106-1	A201106X-1	Standard A201107-4
	Yellow	E1049-32	E1049X-32	A201106-2	A201106X-2	
	Red	E1049-33	E1049X-33	A201106-3	A201106X-3	
	Orange	E1049-34	E1049X-34	A201106-4	A201106X-4	
	Green	E1049-35	E1049X-35	A201106-5	A201106X-5	Hazardous A201107X-4
	White	E1049-36	E1049X-36	A201106-6	A201106X-6	
	Blue	E1049-37	E1049X-37	A201106-7	A201106X-7	
	Brown	E1049-38	E1049X-38	A201106-8	A201106X-8	
	Purple	E1049-39	E1049X-39	A201106-20	A201106X-20	
	Gray	E1049-40	E1049X-40	A201106-21	A201106X-21	

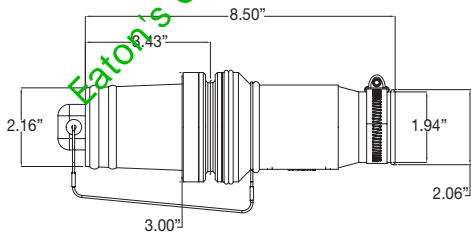
Female plugs



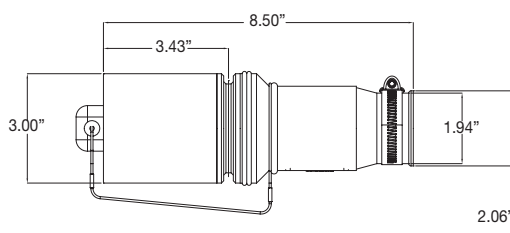
E1049-82

Connection type and wire size	Color	Cat. # Complete female connector		Cat. # Insulator		Cat. # Contact assembly
		Standard	Hazardous	Standard	Hazardous	
Hexagon crimp or solder 313 MCM	Black	E1049-80	E1049X-80	A201100-1	A201100X-1	Standard A201103-4
	Yellow	E1049-81	E1049X-81	A201100-2	A201100X-2	
	Red	E1049-82	E1049X-82	A201100-3	A201100X-3	
	Orange	E1049-83	E1049X-83	A201100-4	A201100X-4	
	Green	E1049-84	E1049X-84	A201100-5	A201100X-5	Hazardous A201103X-4
	White	E1049-85	E1049X-85	A201100-6	A201100X-6	
	Blue	E1049-86	E1049X-86	A201100-7	A201100X-7	
	Brown	E1049-87	E1049X-87	A201100-8	A201100X-8	
	Purple	E1049-88	E1049X-88	A201100-25	A201100X-25	
	Gray	E1049-89	E1049X-89	A201100-26	A201100X-26	

Dimensions:



Male connector



Female connector

Standard E1049		
Ampacity rating – 40°C ambient		
Cable size	90°C G	125°C G
313 MCM	513A	636A

Hazardous E1049X		
Ampacity rating – 55°C ambient		
Cable size	125°C G	
313 MCM	636A	

Conductor temperature shall not exceed these ratings. Standard versions are to only be used with copper Type P or TC-er cable; cable range of 313-777 MCM. Hazardous version to be used with Type P only 313-777 MCM.

Roughneck E1049 male and female plugs

Cable size 444 MCM

1000V AC/DC, up to 796A continuous

Cl. I, Div. 2, Groups A, B, C, D
Cl. I, Zone 2, AEx ec IIC Gc
UL Listed
CSA Certified
NEMA 3; IP54

cURus
CE
IEC
GENELEC

9P

Hex crimp or solder connection

Features:

- Contacts machined from solid copper and specially plated for corrosion resistance and superior conductivity
- Color-coded rubber insulator provides quick visual identification of circuit and phase connections
- Watertight insulators provide maximum protection
- Male and female contacts are assembled to cable with standard crimp tools
- Drive pins on contacts securely lock it to the insulator
- Male contacts are equipped with safe front insulated tip

Standard materials:

- Insulator – rubber
- Receptacle shell – epoxy powder coated aluminum alloy
- Hardware – stainless steel
- Contact – copper

Ordering information:

Male plugs



E1049-210

Connection type and wire size	Color	Cat. # Complete male connector		Cat. # Insulator		Cat. # Contact assembly
		Standard	Hazardous	Standard	Hazardous	
Hexagon crimp or solder 444 MCM	Black	E1049-201	E1049X-201	A201106-1	A201106X-1	Standard A201107-8
	Yellow	E1049-202	E1049X-202	A201106-2	A201106X-2	
	Red	E1049-203	E1049X-203	A201106-3	A201106X-3	
	Orange	E1049-204	E1049X-204	A201106-4	A201106X-4	
	Green	E1049-205	E1049X-205	A201106-5	A201106X-5	
	White	E1049-206	E1049X-206	A201106-6	A201106X-6	Hazardous A201107X-8
	Blue	E1049-207	E1049X-207	A201106-7	A201106X-7	
	Brown	E1049-208	E1049X-208	A201106-8	A201106X-8	
	Purple	E1049-209	E1049X-209	A201106-20	A201106X-20	
	Gray	E1049-210	E1049X-210	A201106-21	A201106X-21	

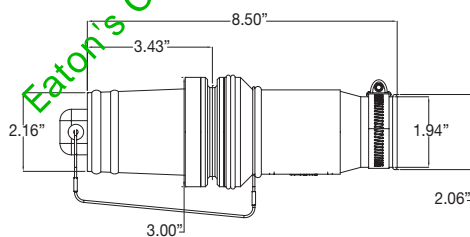
Female plugs



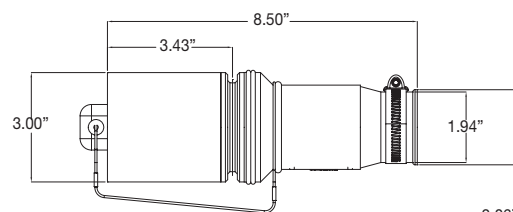
E1049-256

Connection type and wire size	Color	Cat. # Complete female connector		Cat. # Insulator		Cat. # Contact assembly
		Standard	Hazardous	Standard	Hazardous	
Hexagon crimp or solder 444 MCM	Black	E1049-250	E1049X-250	A201100-1	A201100X-1	Standard A201103-8
	Yellow	E1049-251	E1049X-251	A201100-2	A201100X-2	
	Red	E1049-252	E1049X-252	A201100-3	A201100X-3	
	Orange	E1049-253	E1049X-253	A201100-4	A201100X-4	
	Green	E1049-254	E1049X-254	A201100-5	A201100X-5	
	White	E1049-255	E1049X-255	A201100-6	A201100X-6	Hazardous A201103X-8
	Blue	E1049-256	E1049X-256	A201100-7	A201100X-7	
	Brown	E1049-257	E1049X-257	A201100-8	A201100X-8	
	Purple	E1049-258	E1049X-258	A201100-25	A201100X-25	
	Gray	E1049-259	E1049X-259	A201100-26	A201100X-26	

Dimensions:



Male connector



Female connector

Standard E1049

Ampacity rating – 40°C ambient

Cable size	90°C [Ⓛ]	125°C [Ⓛ]
444 MCM	642A	796A

Hazardous E1049X

Ampacity rating – 55°C ambient

Cable size	125°C [Ⓛ]
444 MCM	750A

[Ⓛ] Conductor temperature shall not exceed these ratings. Standard versions are to only be used with copper Type P or TC-er cable; cable range of 313-777 MCM. Hazardous version to be used with Type P only 313-777 MCM.

Roughneck E1049 male and female plugs

Cable size 535 MCM
1000V AC/DC, up to 898A continuous

Cl. I, Div. 2, Groups A, B, C, D
Cl. I, Zone 2, AEx ec IIC Gc
UL Listed
CSA Certified
NEMA 3; IP54

cURus
CE
IEC
CENELEC

9P

Roughneck E1049 hex crimp or solder

Features:

- Contacts machined from solid copper and specially plated for corrosion resistance and superior conductivity
- Color-coded rubber insulator provides quick visual identification of circuit and phase connections
- Watertight insulators provide maximum protection
- Male and female contacts are assembled to cable with standard crimp tools
- Drive pins on contacts securely lock it to the insulator
- Male contacts are equipped with safe front insulated tip

Standard materials:

- Insulator – rubber
- Receptacle shell – epoxy powder coated aluminum alloy
- Hardware – stainless steel
- Contact – copper

Ordering information:

Male plugs



E1049-10

Connection type and wire size	Color	Cat. # Complete male connector		Cat. # Insulator		Cat. # Contact assembly
		Standard	Hazardous	Standard	Hazardous	
Hexagon crimp or solder 535 MCM	Black	E1049-1	E1049X-1	A201106-1	A201106X-1	Standard A201107-1
	Yellow	E1049-2	E1049X-2	A201106-2	A201106X-2	
	Red	E1049-3	E1049X-3	A201106-3	A201106X-3	
	Orange	E1049-4	E1049X-4	A201106-4	A201106X-4	
	Green	E1049-5	E1049X-5	A201106-5	A201106X-5	
	White	E1049-6	E1049X-6	A201106-6	A201106X-6	
	Blue	E1049-7	E1049X-7	A201106-7	A201106X-7	Hazardous A201107X-1
	Brown	E1049-8	E1049X-8	A201106-8	A201106X-8	
	Purple	E1049-9	E1049X-9	A201106-20	A201106X-20	
	Gray	E1049-10	E1049X-10	A201106-21	A201106X-21	

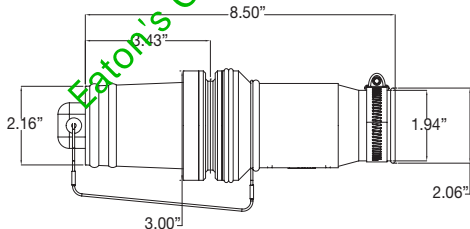
Female plugs



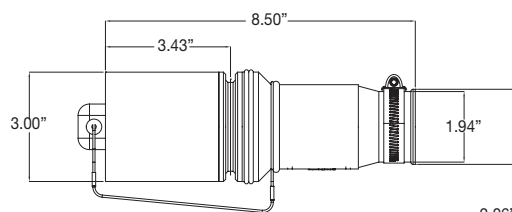
E1049-58

Connection type and wire size	Color	Cat. # Complete female connector		Cat. # Insulator		Cat. # Contact assembly
		Standard	Hazardous	Standard	Hazardous	
Hexagon crimp or solder 535 MCM	Black	E1049-50	E1049X-50	A201100-1	A201100X-1	Standard A201103-1
	Yellow	E1049-51	E1049X-51	A201100-2	A201100X-2	
	Red	E1049-52	E1049X-52	A201100-3	A201100X-3	
	Orange	E1049-53	E1049X-53	A201100-4	A201100X-4	
	Green	E1049-54	E1049X-54	A201100-5	A201100X-5	
	White	E1049-55	E1049X-55	A201100-6	A201100X-6	
	Blue	E1049-56	E1049X-56	A201100-7	A201100X-7	Hazardous A201103X-1
	Brown	E1049-57	E1049X-57	A201100-8	A201100X-8	
	Purple	E1049-58	E1049X-58	A201100-25	A201100X-25	
	Gray	E1049-59	E1049X-59	A201100-26	A201100X-26	

Dimensions:



Male connector



Female connector

Standard E1049		
Ampacity rating – 40°C ambient		
Cable size	90°C [Ⓔ]	125°C [Ⓔ]
535 MCM	724A	898A

Hazardous E1049X	
Ampacity rating – 55°C ambient	
Cable size	125°C [Ⓔ]
535 MCM	815A

[Ⓔ] Conductor temperature shall not exceed these ratings. Standard versions are to only be used with copper Type P or TC-er cable; cable range of 313-777 MCM. Hazardous version to be used with Type P only 313-777 MCM.

Roughneck E1049 male and female plugs

Cable size 646 MCM
1000V AC/DC, up to 1009A continuous

Cl. I, Div. 2, Groups A, B, C, D
Cl. I, Zone 2, AEx ec IIC Gc
UL Listed
CSA Certified
NEMA 3; IP54

cURus
CE
IEC
GENELEC

9P

Hex crimp or solder connection

Features:

- Contacts machined from solid copper and specially plated for corrosion resistance and superior conductivity
- Color-coded rubber insulator provides quick visual identification of circuit and phase connections
- Watertight insulators provide maximum protection
- Male and female contacts are assembled to cable with standard crimp tools
- Drive pins on contacts securely lock it to the insulator
- Male contacts are equipped with safe front insulated tip

Standard materials:

- Insulator – rubber
- Receptacle shell – epoxy powder coated aluminum alloy
- Hardware – stainless steel
- Contact – copper

Ordering information:

Male plugs



E1049-14

Connection type and wire size	Color	Cat. # Complete male connector		Cat. # Insulator		Cat. # Contact assembly
		Standard	Hazardous	Standard	Hazardous	
Hexagon crimp or solder 646 MCM	Black	E1049-11	E1049X-11	A201106-1	A201106X-1	Standard A201107-2
	Yellow	E1049-12	E1049X-12	A201106-2	A201106X-2	
	Red	E1049-13	E1049X-13	A201106-3	A201106X-3	
	Orange	E1049-14	E1049X-14	A201106-4	A201106X-4	
	Green	E1049-15	E1049X-15	A201106-5	A201106X-5	
	White	E1049-16	E1049X-16	A201106-6	A201106X-6	Hazardous A201107X-2
	Blue	E1049-17	E1049X-17	A201106-7	A201106X-7	
	Brown	E1049-18	E1049X-18	A201106-8	A201106X-8	
	Purple	E1049-19	E1049X-19	A201106-20	A201106X-20	
	Gray	E1049-20	E1049X-20	A201106-21	A201106X-21	

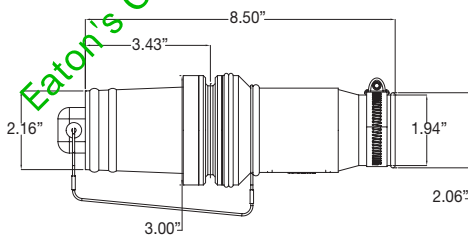
Female plugs



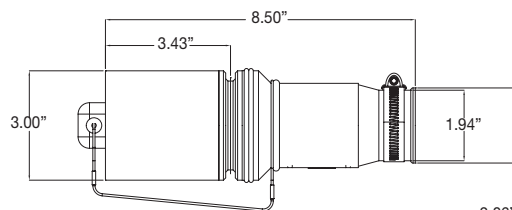
E1049-64

Connection type and wire size	Color	Cat. # Complete female connector		Cat. # Insulator		Cat. # Contact assembly
		Standard	Hazardous	Standard	Hazardous	
Hexagon crimp or solder 646 MCM	Black	E1049-60	E1049X-60	A201100-1	A201100X-1	Standard A201103-2
	Yellow	E1049-61	E1049X-61	A201100-2	A201100X-2	
	Red	E1049-62	E1049X-62	A201100-3	A201100X-3	
	Orange	E1049-63	E1049X-63	A201100-4	A201100X-4	
	Green	E1049-64	E1049X-64	A201100-5	A201100X-5	
	White	E1049-65	E1049X-65	A201100-6	A201100X-6	Hazardous A201103X-2
	Blue	E1049-66	E1049X-66	A201100-7	A201100X-7	
	Brown	E1049-67	E1049X-67	A201100-8	A201100X-8	
	Purple	E1049-68	E1049X-68	A201100-25	A201100X-25	
	Gray	E1049-69	E1049X-69	A201100-26	A201100X-26	

Dimensions:



Male connector



Female connector

Standard E1049

Ampacity rating – 40°C ambient

Cable size	90°C F	125°C F
646 MCM	814A	1009A

Hazardous E1049X

Ampacity rating – 55°C ambient

Cable size	125°C F
646 MCM	920A

Ⓜ Conductor temperature shall not exceed these ratings. Standard versions are to only be used with copper Type P or TC-er cable; cable range of 313-777 MCM. Hazardous version to be used with Type P only 313-777 MCM.

Roughneck E1049 male and female plugs

Cable size 777 MCM
1000V AC/DC, up to 1135A continuous

Cl. I, Div. 2, Groups A, B, C, D
Cl. I, Zone 2, AEx ec IIC Gc
UL Listed
CSA Certified
NEMA 3; IP54

cURus
CE
IEC
CENELEC

9P

Hex crimp or solder connection

Features:

- Contacts machined from solid copper and specially plated for corrosion resistance and superior conductivity
- Color-coded rubber insulator provides quick visual identification of circuit and phase connections
- Watertight insulators provide maximum protection
- Male and female contacts are assembled to cable with standard crimp tools
- Drive pins on contacts securely lock it to the insulator
- Male contacts are equipped with safe front insulated tip

Standard materials:

- Insulator – rubber
- Receptacle shell – epoxy powder coated aluminum alloy
- Hardware – stainless steel
- Contact – copper

Ordering information:

Male plugs



E1049-29

Connection type and wire size	Color	Cat. # Complete male connector		Cat. # Insulator		Cat. # Contact assembly
		Standard	Hazardous	Standard	Hazardous	
Hexagon crimp or solder 777 MCM	Black	E1049-21	E1049X-21	A201106-1	A201106X-1	Standard A201107-3
	Yellow	E1049-22	E1049X-22	A201106-2	A201106X-2	
	Red	E1049-23	E1049X-23	A201106-3	A201106X-3	
	Orange	E1049-24	E1049X-24	A201106-4	A201106X-4	
	Green	E1049-25	E1049X-25	A201106-5	A201106X-5	
	White	E1049-26	E1049X-26	A201106-6	A201106X-6	
	Blue	E1049-27	E1049X-27	A201106-7	A201106X-7	Hazardous A201107X-3
	Brown	E1049-28	E1049X-28	A201106-8	A201106X-8	
	Purple	E1049-29	E1049X-29	A201106-20	A201106X-20	
	Gray	E1049-30	E1049X-30	A201106-21	A201106X-21	

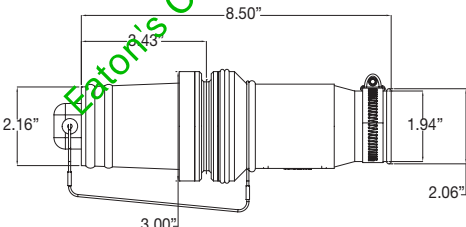
Female plugs



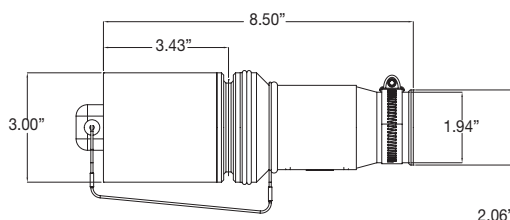
E1049-76

Connection type and wire size	Color	Cat. # Complete female connector		Cat. # Insulator		Cat. # Contact assembly
		Standard	Hazardous	Standard	Hazardous	
Hexagon crimp or solder 777 MCM	Black	E1049-70	E1049X-70	A201100-1	A201100X-1	Standard A201103-3
	Yellow	E1049-71	E1049X-71	A201100-2	A201100X-2	
	Red	E1049-72	E1049X-72	A201100-3	A201100X-3	
	Orange	E1049-73	E1049X-73	A201100-4	A201100X-4	
	Green	E1049-74	E1049X-74	A201100-5	A201100X-5	
	White	E1049-75	E1049X-75	A201100-6	A201100X-6	
	Blue	E1049-76	E1049X-76	A201100-7	A201100X-7	Hazardous A201103X-3
	Brown	E1049-77	E1049X-77	A201100-8	A201100X-8	
	Purple	E1049-78	E1049X-78	A201100-25	A201100X-25	
	Gray	E1049-79	E1049X-79	A201100-26	A201100X-26	

Dimensions:



Male connector



Female connector

Standard E1049

Ampacity rating – 40°C ambient

Cable size	90°C	125°C
777 MCM	916A	1135A

Hazardous E1049X

Ampacity rating – 55°C ambient

Cable size	125°C
777 MCM	1030A

Ⓞ Conductor temperature shall not exceed these ratings. Standard versions are to only be used with copper Type P or TC-er cable; cable range of 313-777 MCM. Hazardous version to be used with Type P only 313-777 MCM.

Roughneck E1049 receptacles

Cable size 313-777 MCM
1000V AC/DC, up to 1135A continuous

Cl. I, Div. 2, Groups A, B, C, D
Cl. I, Zone 2, AEx ec IIC Gc
UL Listed
CSA Certified
NEMA 3; IP54

cURus
CE
IEC
GENELEC

9P

Single and double hole bus bar – rotating latch

Features:

- Colored-coded receptacle housings are designed to provide easy circuit identification
- Epoxy powder shell coating provides superior corrosion resistance
- Receptacle housing allows bus bar positioning at vertical, horizontal and 45° to ease cable routing
- Receptacle assembly provides 360° mounting capabilities
- Ten standard colors available
- Locking device is lockout compatible
- Dust cover is secured to the receptacle housing
- Stainless steel hardware
- Recessed contacts protected by insulating jacket that extends beyond contact ends for safety

Standard materials:

- Insulator – rubber
- Receptacle shell – epoxy powder coated aluminum alloy
- Hardware – stainless steel
- Contact – copper

Ordering information:



E1049-1808X-BK

Male double hole bus bar

Color	Cat. # Complete assembly		Cat. # Housing assembly		Cat. # Contact assembly	
	Standard	Hazardous	Standard	Hazardous	Standard	Hazardous
Black	E1049-1808X-BK	E1049X-1808X-BK	3326695-1	3326695X-1	A201099-9	A201099X-9
Yellow	E1049-1809X-Y	E1049X-1809X-Y	3326695-2	3326695X-2	A201099-10	A201099X-10
Red	E1049-1810X-R	E1049X-1810X-R	3326695-3	3326695X-3	A201099-11	A201099X-11
Orange	E1049-1811X-OR	E1049X-1811X-OR	3326695-4	3326695X-4	A201099-12	A201099X-12
Green	E1049-1812X-G	E1049X-1812X-G	3326695-5	3326695X-5	A201099-13	A201099X-13
White	E1049-1813X-W	E1049X-1813X-W	3326695-6	3326695X-6	A201099-14	A201099X-14
Blue	E1049-1814X-BL	E1049X-1814X-BL	3326695-7	3326695X-7	A201099-15	A201099X-15
Brown	E1049-1815X-BR	E1049X-1815X-BR	3326695-8	3326695X-8	A201099-16	A201099X-16
Purple	E1049-1818X-PR	E1049X-1818X-PR	3326695-9	3326695X-9	A201099-19	A201099X-19
Gray	E1049-1819X-GY	E1049X-1819X-GY	3326695-10	3326695X-10	A201099-20	A201099X-20

Male single hole bus bar

Color	Cat. # Complete assembly		Cat. # Housing assembly		Cat. # Contact assembly	
	Standard	Hazardous	Standard	Hazardous	Standard	Hazardous
Black	E1049-1800X-BK	E1049X-1800X-BK	3326695-1	3326695X-1	A201099-1	A201099X-1
Yellow	E1049-1801X-Y	E1049X-1801X-Y	3326695-2	3326695X-2	A201099-2	A201099X-2
Red	E1049-1802X-R	E1049X-1802X-R	3326695-3	3326695X-3	A201099-3	A201099X-3
Orange	E1049-1803X-OR	E1049X-1803X-OR	3326695-4	3326695X-4	A201099-4	A201099X-4
Green	E1049-1804X-G	E1049X-1804X-G	3326695-5	3326695X-5	A201099-5	A201099X-5
White	E1049-1805X-W	E1049X-1805X-W	3326695-6	3326695X-6	A201099-6	A201099X-6
Blue	E1049-1806X-BL	E1049X-1806X-BL	3326695-7	3326695X-7	A201099-7	A201099X-7
Brown	E1049-1807X-BR	E1049X-1807X-BR	3326695-8	3326695X-8	A201099-8	A201099X-8
Purple	E1049-1816X-PR	E1049X-1816X-PR	3326695-9	3326695X-9	A201099-17	A201099X-17
Gray	E1049-1817X-GY	E1049X-1817X-GY	3326695-10	3326695X-10	A201099-18	A201099X-18

Standard E1049

Ampacity rating – 40°C ambient

Cable size	90°C ^H		125°C ^H	
	Standard	Hazardous	Standard	Hazardous
4/0	405A	510A		
262 MCM	455A	567A		
313 MCM	513A	636A		
444 MCM	642A	796A		
535 MCM	724A	898A		
646 MCM	814A	1009A		
777 MCM	916A	1135A		

Hazardous E1049X

Ampacity rating – 55°C ambient

Cable size	125°C ^H	
	Standard	Hazardous
313 MCM	636A	
444 MCM	750A	
535 MCM	815A	
646 MCM	920A	
777 MCM	1030A	

^H Conductor temperature shall not exceed these ratings.

^I Conductor temperature shall not exceed these ratings. Products are to only be used with copper Type P; cable range of 313-777 MCM.

Roughneck E1049 receptacles

Cable size 313-777 MCM
1000V AC/DC, up to 1135A continuous

Cl. I, Div. 2, Groups A, B, C, D
Cl. I, Zone 2, AEx ec IIC Gc
UL Listed
CSA Certified
NEMA 3; IP54

9P

Single and double hole bus bar – rotating latch (continued)

Ordering information (continued):

Female double hole bus bar



E1049-1835X-R

Color	Cat. # Complete assembly		Cat. # Housing assembly		Cat. # Contact assembly	
	Standard	Hazardous	Standard	Hazardous	Standard	Hazardous
Black	E1049-1833X-BK	E1049X-1833X-BK	3326695-1	3326695X-1	A201108-9	A201108X-9
Yellow	E1049-1834X-Y	E1049X-1834X-Y	3326695-2	3326695X-2	A201108-10	A201108X-10
Red	E1049-1835X-R	E1049X-1835X-R	3326695-3	3326695X-3	A201108-11	A201108X-11
Orange	E1049-1836X-OR	E1049X-1836X-OR	3326695-4	3326695X-4	A201108-12	A201108X-12
Green	E1049-1837X-G	E1049X-1837X-G	3326695-5	3326695X-5	A201108-13	A201108X-13
White	E1049-1838X-W	E1049X-1838X-W	3326695-6	3326695X-6	A201108-14	A201108X-14
Blue	E1049-1839X-BL	E1049X-1839X-BL	3326695-7	3326695X-7	A201108-15	A201108X-15
Brown	E1049-1840X-BR	E1049X-1840X-BR	3326695-8	3326695X-8	A201108-16	A201108X-16
Purple	E1049-1822X-PR	E1049X-1822X-PR	3326695-9	3326695X-9	A201108-19	A201108X-19
Gray	E1049-1823X-GY	E1049X-1823X-GY	3326695-10	3326695X-10	A201108-20	A201108X-20

Note: Receptacle assembly catalog numbers include the insulator, receptacle housing, gasket and dust cover. Dust cover receptacle (male or female) catalog number: A201113-5.

Female single hole bus bar

Color	Cat. # Complete assembly		Cat. # Housing assembly		Cat. # Contact assembly	
	Standard	Hazardous	Standard	Hazardous	Standard	Hazardous
Black	E1049-1825X-BK	E1049X-1825X-BK	3326695-1	3326695X-1	A201108-1	A201108X-1
Yellow	E1049-1826X-Y	E1049X-1826X-Y	3326695-2	3326695X-2	A201108-2	A201108X-2
Red	E1049-1827X-R	E1049X-1827X-R	3326695-3	3326695X-3	A201108-3	A201108X-3
Orange	E1049-1828X-OR	E1049X-1828X-OR	3326695-4	3326695X-4	A201108-4	A201108X-4
Green	E1049-1829X-G	E1049X-1829X-G	3326695-5	3326695X-5	A201108-5	A201108X-5
White	E1049-1830X-W	E1049X-1830X-W	3326695-6	3326695X-6	A201108-6	A201108X-6
Blue	E1049-1831X-BL	E1049X-1831X-BL	3326695-7	3326695X-7	A201108-7	A201108X-7
Brown	E1049-1832X-BR	E1049X-1832X-BR	3326695-8	3326695X-8	A201108-8	A201108X-8
Purple	E1049-1820X-PR	E1049X-1820X-PR	3326695-9	3326695X-9	A201108-17	A201108X-17
Gray	E1049-1821X-GY	E1049X-1821X-GY	3326695-10	3326695X-10	A201108-18	A201108X-18

Note: Receptacle assembly catalog numbers include the insulator, receptacle housing, gasket and dust cover. Dust cover receptacle (male or female) catalog number: A201113-5.

Roughneck E1049 receptacles

Cable size 313-777 MCM
1000V AC/DC, up to 1135A continuous

Cl. I, Div. 2, Groups A, B, C, D
Cl. I, Zone 2, AEx ec IIC Gc
UL Listed
CSA Certified
NEMA 3; IP54

cURus
CE
IEC
GENELEC

9P

Single and double hole bus bar – short throw latch

Features:

- Colored-coded receptacle housings are designed to provide easy circuit identification
- Epoxy powder shell coating provides superior corrosion resistance
- Receptacle housing allows bus bar positioning at vertical, horizontal and 45° to ease cable routing
- Receptacle assembly provides 360° mounting capabilities
- Ten standard colors available
- Locking device is lockout compatible
- Dust cover is secured to the receptacle housing
- Stainless steel hardware
- Recessed contacts protected by insulating jacket that extends beyond contact ends for safety

Standard materials:

- Insulator – rubber
- Receptacle shell – epoxy powder coated aluminum alloy
- Hardware – stainless steel
- Contact – copper

Ordering information:



E1049-1814ST-BL

Male double hole bus bar

Color	Cat. # Complete assembly		Cat. # Housing assembly		Cat. # Contact assembly	
	Standard	Hazardous	Standard	Hazardous	Standard	Hazardous
Black	E1049-1808ST-BK	E1049X-1808ST-BK	3326695-1ST	3326695X-1ST	A201099-9	A201099X-9
Yellow	E1049-1809ST-Y	E1049X-1809ST-Y	3326695-2ST	3326695X-2ST	A201099-10	A201099X-10
Red	E1049-1810ST-R	E1049X-1810ST-R	3326695-3ST	3326695X-3ST	A201099-11	A201099X-11
Orange	E1049-1811ST-OR	E1049X-1811ST-OR	3326695-4ST	3326695X-4ST	A201099-12	A201099X-12
Green	E1049-1812ST-G	E1049X-1812ST-G	3326695-5ST	3326695X-5ST	A201099-13	A201099X-13
White	E1049-1813ST-W	E1049X-1813ST-W	3326695-6ST	3326695X-6ST	A201099-14	A201099X-14
Blue	E1049-1814ST-BL	E1049X-1814ST-BL	3326695-7ST	3326695X-7ST	A201099-15	A201099X-15
Brown	E1049-1815ST-BR	E1049X-1815ST-BR	3326695-8ST	3326695X-8ST	A201099-16	A201099X-16
Purple	E1049-1816ST-PR	E1049X-1816ST-PR	3326695-9ST	3326695X-9ST	A201099-19	A201099X-19
Gray	E1049-1819ST-GY	E1049X-1819ST-GY	3326695-10ST	3326695X-10ST	A201099-20	A201099X-20

Male single hole bus bar

Color	Cat. # Complete assembly		Cat. # Housing assembly		Cat. # Contact assembly	
	Standard	Hazardous	Standard	Hazardous	Standard	Hazardous
Black	E1049-1800ST-BK	E1049X-1800ST-BK	3326695-1ST	3326695X-1ST	A201099-1	A201099X-1
Yellow	E1049-1801ST-Y	E1049X-1801ST-Y	3326695-2ST	3326695X-2ST	A201099-2	A201099X-2
Red	E1049-1802ST-R	E1049X-1802ST-R	3326695-3ST	3326695X-3ST	A201099-3	A201099X-3
Orange	E1049-1803ST-OR	E1049X-1803ST-OR	3326695-4ST	3326695X-4ST	A201099-4	A201099X-4
Green	E1049-1804ST-G	E1049X-1804ST-G	3326695-5ST	3326695X-5ST	A201099-5	A201099X-5
White	E1049-1805ST-W	E1049X-1805ST-W	3326695-6ST	3326695X-6ST	A201099-6	A201099X-6
Blue	E1049-1806ST-BL	E1049X-1806ST-BL	3326695-7ST	3326695X-7ST	A201099-7	A201099X-7
Brown	E1049-1807ST-BR	E1049X-1807ST-BR	3326695-8ST	3326695X-8ST	A201099-8	A201099X-8
Purple	E1049-1816ST-PR	E1049X-1816ST-PR	3326695-9ST	3326695X-9ST	A201099-17	A201099X-17
Gray	E1049-1817ST-GY	E1049X-1817ST-GY	3326695-10ST	3326695X-10ST	A201099-18	A201099X-18

Note: Receptacle assembly catalog numbers include the insulator, receptacle housing, gasket and dust cover. Dust cover receptacle (male or female) catalog number: A201113-5.

Standard E1049

Ampacity rating – 40°C ambient

Cable size	90°C ①		125°C ②	
	90°C ①	125°C ②	90°C ①	125°C ②
4/0	405A	510A		
262 MCM	455A	567A		
313 MCM	513A	636A		
444 MCM	642A	796A		
535 MCM	724A	898A		
646 MCM	814A	1009A		
777 MCM	916A	1135A		

Hazardous E1049X

Ampacity rating – 55°C ambient

Cable size	125°C ③	
	125°C ③	125°C ③
313 MCM	636A	
444 MCM	750A	
535 MCM	815A	
646 MCM	920A	
777 MCM	1030A	

① Conductor temperature shall not exceed these ratings.

② Conductor temperature shall not exceed these ratings. Products are to only be used with copper Type P cable; cable range of 313-777 MCM.

Roughneck E1049 receptacles

Cable size 313-777 MCM
1000V AC/DC, up to 1135A continuous

Cl. I, Div. 2, Groups A, B, C, D
Cl. I, Zone 2, AEx ec IIC Gc
UL Listed
CSA Certified
NEMA 3; IP54

cURus
CE
IEC
CENELEC

9P

Single and double hole bus bar – short throw latch (continued)

Ordering information (continued):

Female double hole bus bar



E1049-1833ST-BK

Color	Cat. # Complete assembly		Cat. # Housing assembly		Cat. # Contact assembly	
	Standard	Hazardous	Standard	Hazardous	Standard	Hazardous
Black	E1049-1833ST-BK	E1049X-1833ST-BK	3326695-1ST	3326695X-1ST	A201108-9	A201108X-9
Yellow	E1049-1834ST-Y	E1049X-1834ST-Y	3326695-2ST	3326695X-2ST	A201108-10	A201108X-10
Red	E1049-1835ST-R	E1049X-1835ST-R	3326695-3ST	3326695X-3ST	A201108-11	A201108X-11
Orange	E1049-1836ST-OR	E1049X-1836ST-OR	3326695-4ST	3326695X-4ST	A201108-12	A201108X-12
Green	E1049-1837ST-G	E1049X-1837ST-G	3326695-5ST	3326695X-5ST	A201108-13	A201108X-13
White	E1049-1838ST-W	E1049X-1838ST-W	3326695-6ST	3326695X-6ST	A201108-14	A201108X-14
Blue	E1049-1839ST-BL	E1049X-1839ST-BL	3326695-7ST	3326695X-7ST	A201108-15	A201108X-15
Brown	E1049-1840ST-BR	E1049X-1840ST-BR	3326695-8ST	3326695X-8ST	A201108-16	A201108X-16
Purple	E1049-1822ST-PR	E1049X-1822ST-PR	3326695-9ST	3326695X-9ST	A201108-19	A201108X-19
Gray	E1049-1823ST-GY	E1049X-1823ST-GY	3326695-10ST	3326695X-10ST	A201108-20	A201108X-20

Note: Receptacle assembly catalog numbers include the insulator, receptacle housing, gasket and dust cover. Dust cover receptacle (male or female) catalog number: A201113-5.

Female single hole bus bar

Color	Cat. # Complete assembly		Cat. # Housing assembly		Cat. # Contact assembly	
	Standard	Hazardous	Standard	Hazardous	Standard	Hazardous
Black	E1049-1825ST-BK	E1049X-1825ST-BK	3326695-1ST	3326695X-1ST	A201108-1	A201108X-1
Yellow	E1049-1826ST-Y	E1049X-1826ST-Y	3326695-2ST	3326695X-2ST	A201108-2	A201108X-2
Red	E1049-1827ST-R	E1049X-1827ST-R	3326695-3ST	3326695X-3ST	A201108-3	A201108X-3
Orange	E1049-1828ST-OR	E1049X-1828ST-OR	3326695-4ST	3326695X-4ST	A201108-4	A201108X-4
Green	E1049-1829ST-G	E1049X-1829ST-G	3326695-5ST	3326695X-5ST	A201108-5	A201108X-5
White	E1049-1830ST-W	E1049X-1830ST-W	3326695-6ST	3326695X-6ST	A201108-6	A201108X-6
Blue	E1049-1831ST-BL	E1049X-1831ST-BL	3326695-7ST	3326695X-7ST	A201108-7	A201108X-7
Brown	E1049-1832ST-BR	E1049X-1832ST-BR	3326695-8ST	3326695X-8ST	A201108-8	A201108X-8
Purple	E1049-1820ST-PR	E1049X-1820ST-PR	3326695-9ST	3326695X-9ST	A201108-17	A201108X-17
Gray	E1049-1821ST-GY	E1049X-1821ST-GY	3326695-10ST	3326695X-10ST	A201108-18	A201108X-18

Note: Receptacle assembly catalog numbers include the insulator, receptacle housing, gasket and dust cover. Dust cover receptacle (male or female) catalog number: A201113-1.

Roughneck E1049 plugs and receptacles

Cl. I, Div. 2, Groups A, B, C, D
Cl. I, Zone 2, AEx ec IIC Gc
UL Listed
CSA Certified
NEMA 3; IP54

cURus
CE
IEC
GENELEC

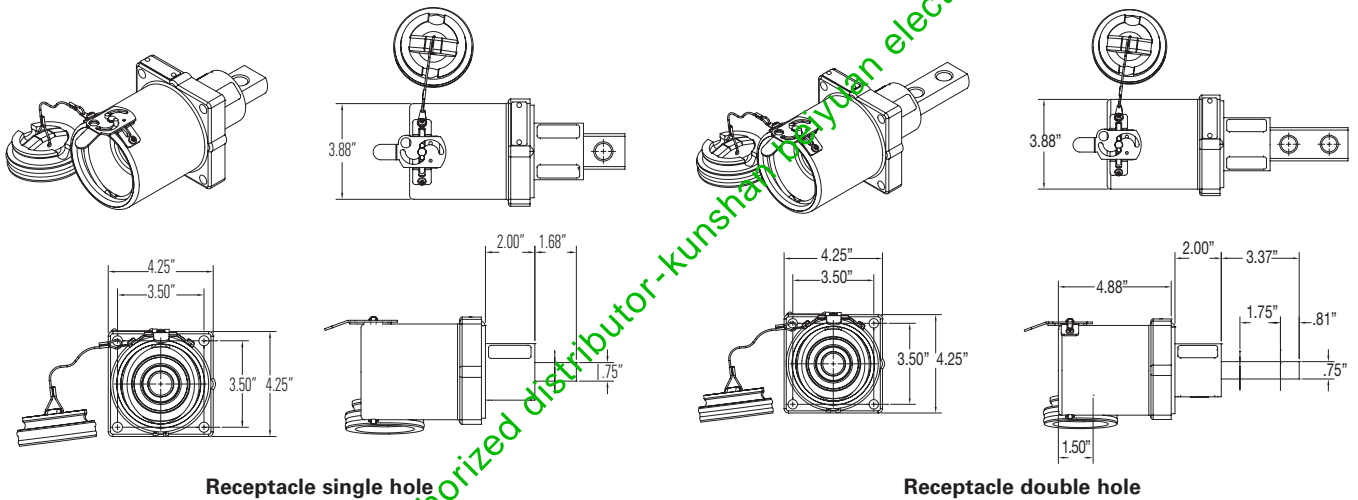
9P

Accessories (ordered separately):

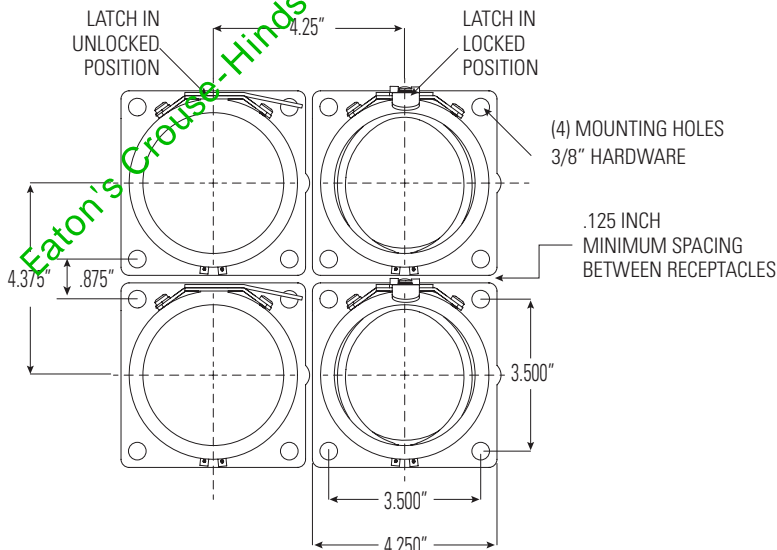
Cat. #	Description
201115	Gasket for receptacle housing (E1049 standard)
K1318428	Gasket for receptacle housing (E1049X hazardous)
319735-1	Neoprene vulcanizing tape
A201103-9	4/0-262 MCM female contact
A201107-9	4/0-262 MCM male contact
A201113-1	Receptacle dust cover – short throw
A201114-4	Dust cover for female plug, black
A201113-5	Receptacle dust cover – rotating latch
A201113-6	Dust cover for male plug, black
E1015GND	E1015 ground lug
K1318353	Ball check pin
K3326821-1	In-line coupler repair kit
K3318296	Receptacle repair kit – rotating latch
K3326821-2	Receptacle repair kit – short throw

Cat. #		Color	Description
Standard	Hazardous		
A201096-1	A20109X-1	Anodized aluminum	
A201096-1-BK	A201096X-1-BK	Black	
A201096-1-Y	A201096X-1-Y	Yellow	
A201096-1-R	A201096X-1-R	Red	
A201096-1-OR	A201096X-1-OR	Orange	
A201096-1-G	A201096X-1-G	Green	
A201096-1-W	A201096X-1-W	White	Coupler for mating male to female plug
A201096-1-BL	A201096X-1-BL	Blue	
A201096-1-BR	A201096X-1-BR	Brown	
A201096-1-PR	A201096X-1-PR	Purple	
A201096-1-GY	A201096X-1-GY	Gray	

Dimensions:



Receptacle housing mounting pattern (rotating latch) (0.125" minimum spacing required between receptacles)



9P