

NHLL linear LED lighting-hazardous area

Product introduction

NHLL series is an extremely robust linear LED luminaire in an aluminum housing with a high impact polycarbonate diffuser for use in Zone 2 and 22 hazardous environments.

The use of high quality LED chips, along with Crouse-Hinds' industry knowhow in extracting heat from electrical products in hazardous, gaseous environment, ensures benchmark longevity for NHLL in operation. With the added benefits of energy savings, lower maintenance, overall lower cost of ownership and importantly, contributes to a greener environment.



Product features

Model	Length	Color temp.	Nominal lumens	Wattage	Equivalent fluorescent luminaire
NHLL-2-C2-3L	735mm	5700K	3000lm	30W	2x18W
NHLL-2-C2-4L	735mm	5700K	4500lm	40W	2x36W
NHLL-4-C2-5L	1335mm	5700K	6200lm	60W	2x36W
NHLL-4-C2-8L	1335mm	5700K	7700lm	80W	2x58W

- Reliability
 - Polycarbonate, 4J impact resistant
 - Cooper free aluminum for excellent corrosion and heat transfer properties
 - IP66 protection

- Suitable for zone 2 gas and 22 dust atmospheres
- Highest temperature class T4

- Permissible ambient temperature:
 - Standard luminaire: -40°C~+50°C/55°C
 - Emergency luminaire: -25°C~+50°C/55°C
 - Available for 3000K, 4000K, 5000K and 5700K
- Anti shock and vibration proof
- Mercury free
- Instant ON without time delay
- Rated life of 5 years at 55°C provides long term, low-maintenance operation.

Technical data

EC-Type examination certificate	SEV 18 ATEX Q111
IECEX-certification of conformity	IECEX NEPC 19.0003X, IECEX SEV 19.0054X
Ex marking	Ex db ec IIC T5/T6 Gc Ex ec IIC T5/T6 Gc Ex db ec ib mb IIC T5/T6 Gc Ex ec ib mb IIC T5/T6 Gc Ex tb IIIC T80°C Db
Ambient temp	-40°C ~ +50°C/55°C (Normal) -25°C ~ +50°C/55°C (Emergency)
Rated input volt	110-240 VAC; 108-250 VDC
Power factor	>0.9
CRI	Cool white>70 as standard, CRI>80 is optional
System watt	2 series: 30W/40W 4 series: 60W/80W
Lumen output*	2 series: 3000Lm/4500Lm 4 series: 6200Lm/7700Lm
Material	Aluminum
Weight	2 series normal: 5kg 2 series Em: 6kg 4 series normal: 10kg 4 series Em: 12kg
Terminals	6mm ²
Out line dimension	2 series: 735x180x130(mm) 4 series: 1335x180x130(mm)
Backup duration & lumen percentage	EM1=1.5h, 25% output, EM2=3h, 25% output, EM3=3h(for 8L)
IP (IEC60529)	IP66

* Lumen values apply to 5700K light color, 70 CRI fixtures. Lumen output may vary slightly for different models.

* Tolerance+/-10%

NHLL linear LED lighting-hazardous area

Ordering information

Product Type	Colour Temp ¹⁾	Terminals	Throughwiring ²⁾		Entry Threaded	Ex e Threaded Plug ³⁾	Part No. ⁴⁾
			Single-ended	Twin-ended			
NHLL 2 Feet							
NHLL-2-C2-3L-1/6-220-N	5700K	1x6	●	-	2xM20	1	CCL1653436
NHLL-2-C2-3L-2/6-220-N		2x6		●	4xM20	2	CCL1653444
NHLL 2 Feet Emergency							
NHLL-2-C2-3L-EM1-1/6-220-N	5700K	1x6	●	-	2xM20	1	CCL1653452
NHLL-2-C2-3L-EM1-2/6-220-N		2x6		●	4xM20	2	CCL1653460
NHLL 4 Feet 5L							
NHLL-4-C2-5L-1/6-220-N	5700K	1x6	●	-	2xM20		CCL1653596
NHLL-4-C2-5L-2/6-220-N		2x6		●	4xM20	2	CCL1653604
NHLL4 Feet 5L Emergency							
NHLL-4-C2-5L-EM1-1/6-220-N	5700K	1x6	●	-	2xM20	1	CCL1653612
NHLL-4-C2-5L-EM1-2/6-220-N		2x6		●	4xM20	2	CCL1653620

¹⁾ Tolerance +/- 10%

²⁾ Through wiring 6 x 2.5 mm²

³⁾ Standard version without cable gland. if need, please order separately

⁴⁾ Contact your local sales representative for special requirements.

Metallic Cable Glands (Order Separately)

ADE-1F2

Catalog #	Metric Thread Size	Cable Types	Cable sealing range - Min	Cable sealing range - Max
ADE1M201NPN	M20	Non-armoured,	4.5	8.5
ADE1M202NPN	M20	Marine shipboard Type P, Tray cable	7.0	12.0
ADE1M203NPN	M20	(armoured)	10.0	16.0



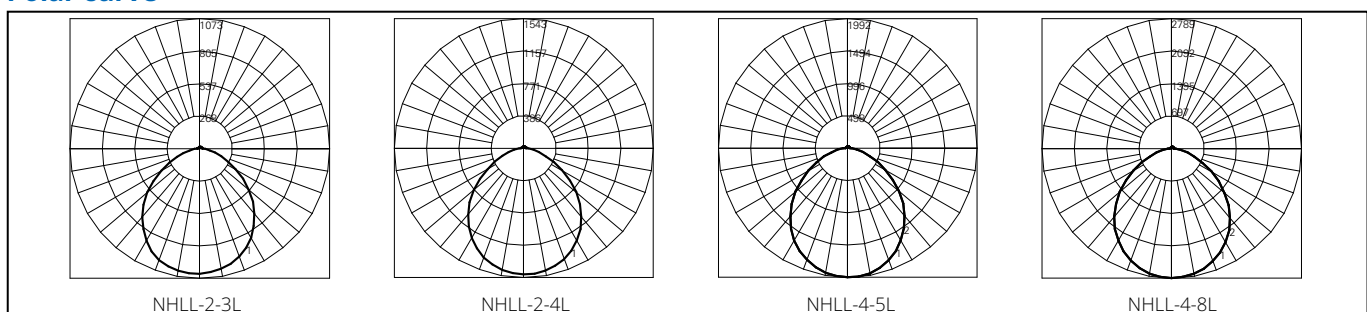
ADE-4F

Catalog #	Metric Thread Size	Cable Types	Cable sealing range inner sheath		Cable sealing range outer sheath		Armor	
			Min.	Max.	Min.	Max.	Min.	Max.
ADE4M201NPN	M20	SWA, SWB, STA,	4.5	8.0	7.0	12.0	0.2	0.9
ADE4M202NPN	M20	Braided marine shipboard, Type P; Leadsheathed cable (with addition of earthing washer)	7.0	12.0	10.0	16.0	0.2	1.3
ADE4M203NPN	M20		10.0	15.5	13.5	21.0	0.2	1.3



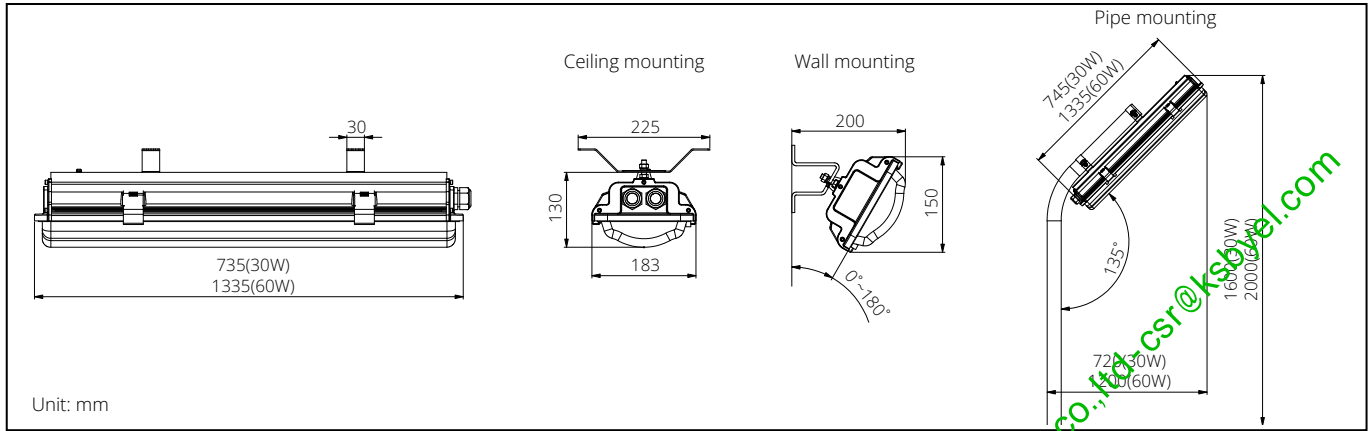
ADE-1F2 and ADE-4F catalog numbers are for nickel-plated brass; For other material options, please contact our sales representative.

Polar curve

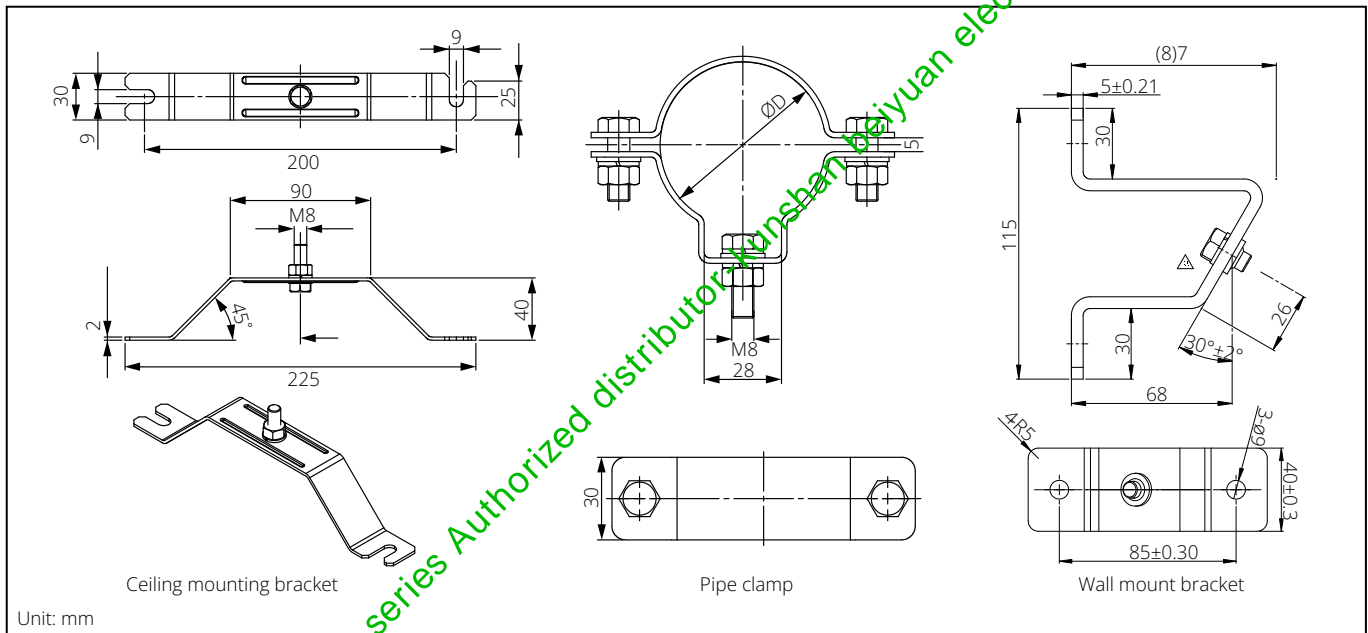


NHLL linear LED lighting-hazardous area

Dimension



Mounting accessories (To be ordered separately)



Pipe mounting

Part No	Description	Quantity per luminaire
CHR11076	Pipe clamp assy D42 316S/S	2
CHR11079	Pipe clamp assy D51 316S/S	2

Wall mounting

Part No	Description	Quantity per luminaire
CHR11073	Wall suspension 316S/S	2

Ceiling mounting

Part No	Description	Quantity per luminaire
CHR11099	Ceiling mounting BKT 316S/S	2